

# Ningbo Force Rigging Co.,Ltd.&Bo Tuan



**Force**

Ningbo Force Rigging Co.,Ltd.

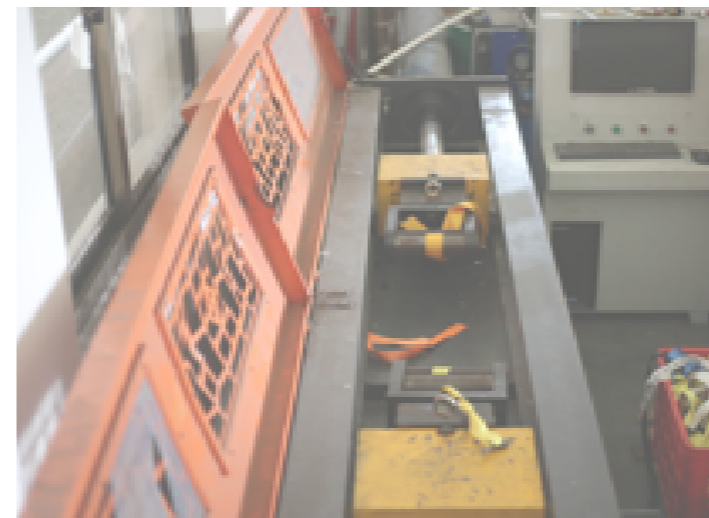
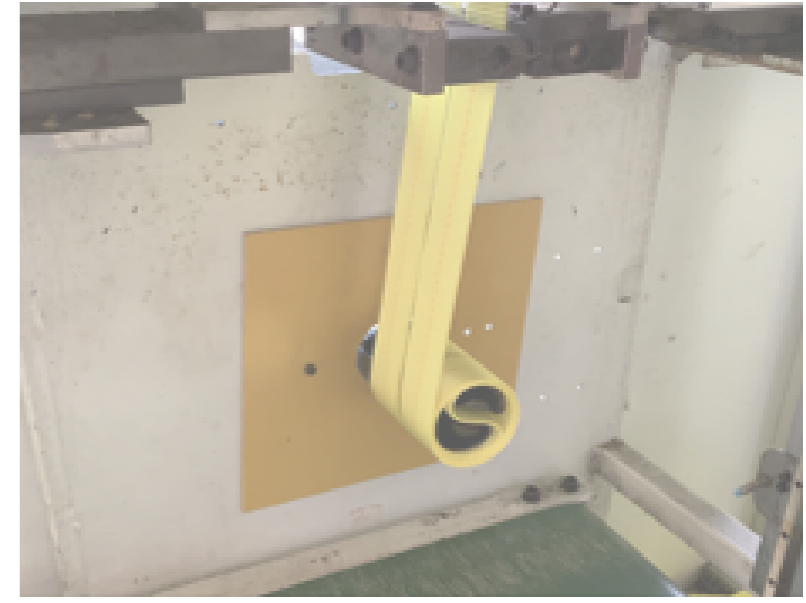
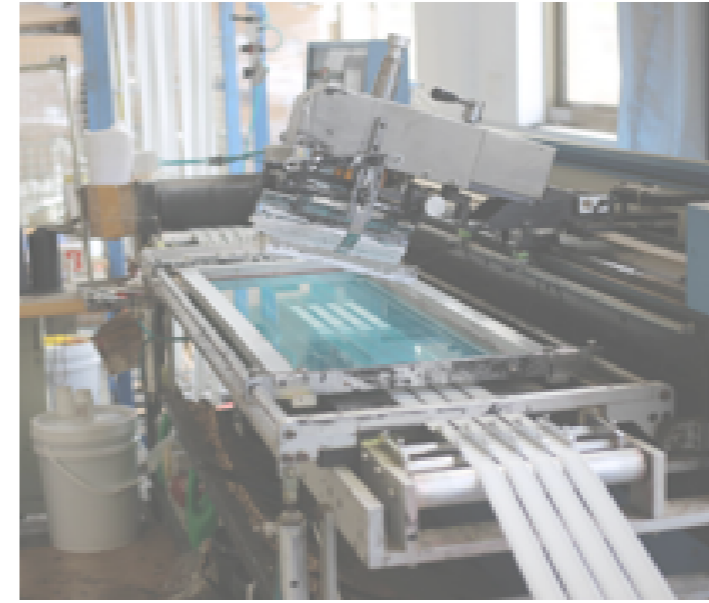


## 公司简介：

宁波起力索具有限公司是一家生产货物控制类产品的厂家，公司旗下包括宁波搏团贸易有限公司和宁波陵秋添成五金有限公司。拥有完善的检测设施和雄厚的技术力量。本公司以“务实、创新、拼搏、卓越”为企业精神；以“坦荡做人、踏实做事、积极进取、终生学习”为企业文化；以“锐意创新、诚挚服务、信誉至上、品质第一”为经营宗旨，竭诚为广大客户提供品质齐全、质量上乘、外形精美的产品，共创辉煌！

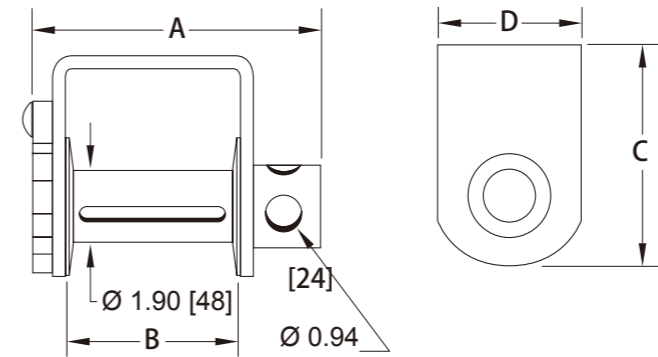
## Company Profile :

Ningbo Force Rigging Co., Ltd. is a manufacturer of cargo control, including Ningbo Botuan Trading Co., Ltd. and Ningbo Lingqiu Tiancheng Hardware Co., Ltd. With perfect testing facilities and strong technical force. The company to "pragmatic, innovative, hard work, excellence" as the spirit of enterprise; To "magnanimous life, practical work, positive enterprising, lifelong learning" as the corporate culture; With "innovation, sincere service, reputation first, quality first" as the business purpose, dedicated to provide our customers with complete quality, high quality, exquisite appearance products, create brilliant!





Made with different base configurations,jiulong winches also feature seamless solid-steelmandrels, high-strength alloy pawl pins and powder coating to resist abrasion and rust. Unless otherwise specified, all winches are right hand models. Left hand models are also available.



### INCH WINCH SPECIFICATION

Item No.	A (inch)	B (inch)	C (inch)	D (inch)	Weight (lbs.)	Weight (kgs.)
W901	7.71	4.88	5.87	3.94	8.8	4.0
W902	9.32	4.96	6.36	3.54	10.0	4.5
W903	7.71	4.88	5.87	3.94	8.8	4.0
W904	7.71	4.88	6.89	3.94	10.7	4.9
W905	9.89	6.50	4.91	3.94	12.6	5.7
W906	7.66	4.88	5.51	3.54	8.0	3.6
W907	7.66	4.88	5.51	3.54	9.4	4.3
W908	7.75	4.88	6.50	3.54	8.8	4.0
W909	5.0	2.13	4.02	2.93	3.8	1.7
W910	10.57	7.75	6.13	4.00	12.0	5.5
W911	6.25	5.00	6.25	4.00	6.0	2.7
W912	6.25	5.00	5.25	4.00	7.5	3.4
W913	7.66	4.88	5.98	3.94	9.2	4.2
W914	7.66	4.88	6.50	4.00	9.7	4.4
W915	7.75	4.88	6.50	3.94	10.3	4.7
W916	7.68	4.88	7.72	3.94	10.1	4.6
W917	7.68	4.88	7.72	3.94	10.7	4.9
W918	7.68	4.88	4.33	3.94	8.1	3.7
W919	7.68	4.88	4.33	3.94	9.2	4.2
W920	7.66	4.88	5.51	3.54	9.6	4.4
W921	7.68	4.88	4.78	3.75	6.0	2.7
W922	7.68	4.88	6.88	3.50	8.2	3.7
W923	7.68	4.88	6.02	4.69	8.7	4.0
W924	7.56	7.24	10.00	3.94	13.6	6.2
W925	9.27	6.50	4.33	3.94	16.0	7.3
W926	9.27	6.50	5.71	3.54	10.7	4.9
W927	9.87	6.53	4.25	3.94	10.7	4.9
W928	9.98	6.54	5.50	4.00	13.4	6.0
W929	10.24	6.50	6.89	3.94	15.4	7.0
W930	10.24	6.50	6.89	3.94	15.4	7.0



W901



W902



W903



W913



W914



W915



W904



W905



W906



W916



W917



W918



W907



W908



W909



W919



W920



W921



W910



W911



W912



W922



W923



W924



W925



W926



W927



W937



W938



W939



W928



W929



W930



W940



W941



W942



W931



W932



W933



WINCH TRACK

W943



W944



W945



W934



W935



W936



WEB WINDER

W946

OIL RACKS



Size: 33.25" long x 2.75" wide x 2.85" high  
Weight: 4.9 lbs / 2.3 kgs.

W947

HENTY DFY CO



Size: 33.25" long x 2.75" wide x 2.85" high  
Weight: 5.4 lbs / 2.4 kgs.

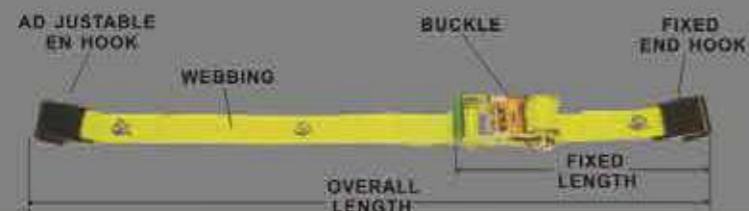
W948



Engineered for strength and durability, julong ratchet buckle strap assemblies set the industry standard. The integrity of our high quality ratchet buckles set these assemblies apart from the rest. A complete line of julong's standard and heavy-duty Assemblies and accessories can meet all of your specific requirements.

#### ANATOMY OF A RATCHET STRAP

Length: The distance between extreme end bearing points of the web tiedown assembly, including the fittings. Standard fixed end length is 18" (33" for chain anchor straps). This puts ratchet in optimum position on side of trailer for driver tensioning. Handholds are typically 8" in length and can be sewn to prevent the webbing from sliding back through the buckle or winch.



## Ratchet Strap Assemblies

All heavy duty 2" cargo strap assemblies are made from premium, yellow, 12,000 Lb. tensile strength tested, polyester webbing for maximum durability. Meets all the requirements of the U.S. Department of Transportation (DOT), Canadian Council of Motor Transport Administrators (CCMTA) and Commercial Vehicle Safety Alliance (CVSA). 2" inline strap assemblies come standard with a 12" fixed end. Packaged in shrink wrapped plastic with a circle card.

◆ Design factor 3:1

### 2" Wide Handle Ratchet With Chain Hook

Denotes extra long, wide handle ratchet.

ITEM NO	LENGTH	WORKING LOAD LIMIT		WEIGHT	FACTORY PACKAGE
	(Feet)	(LBS)	(KGS)	(Lbs/ea.)	
2RTD15C	15	3,333	1,497	10.00	8 / ctn
2RTD27C	27	3,333	1,497	10.20	4 / ctn



### 2" Wide Handle Ratchet With Flat Hooks

ITEM NO	LENGTH	WORKING LOAD LIMIT		WEIGHT	FACTORY PACKAGE
	(Feet)	(LBS)	(KGS)	(Lbs/ea.)	
2RTD27F	27	3,333	1,497	5.70	8 / ctn
2RTD30F	30	3,333	1,497	6.10	8 / ctn
2RTD40F	40	3,333	1,497	6.50	4 / ctn



### 2" Wide Handle Ratchet With "J" Hooks

ITEM NO	LENGTH	WORKING LOAD LIMIT		WEIGHT	FACTORY PACKAGE
	(Feet)	(LBS)	(KGS)	(Lbs/ea.)	
2RTD27J	27	3,333	1,497	5.60	8 / ctn
2RTD30J	30	3,333	1,497	6.00	8 / ctn



### 2" Wide Handle Ratchet With Flat Hook

ITEM NO	LENGTH	WORKING LOAD LIMIT		WEIGHT	FACTORY PACKAGE
	(Feet)	(LBS)	(KGS)	(Lbs/ea.)	
2RTD27F	27	3,333	1,497	5.80	10 / ctn
2RTD30F	30	3,333	1,497	6.00	10 / ctn



### 2" Wide Handle Ratchet With Twist Flat Snap Hook

ITEM NO	LENGTH	WORKING LOAD LIMIT		WEIGHT	FACTORY PACKAGE
	(Feet)	(LBS)	(KGS)	(Lbs/ea.)	
2RTD27FS	27	3,333	1,497	5.70	8 / ctn
2RTD30FS	30	3,333	1,497	5.90	8 / ctn



### 2" Wide Handle Ratchet With "D" Rings

ITEM NO	LENGTH	WORKING LOAD LIMIT		WEIGHT	FACTORY PACKAGE
	(Feet)	(LBS)	(KGS)	(Lbs/ea.)	
2RTD27D	27	3,333	1,497	5.70	8 / ctn
2RTD30D	30	3,333	1,497	5.90	8 / ctn



### 2" Car Lashing Ratchet Tie Down

ITEM NO	LENGTH	WORKING LOAD LIMIT		WEIGHT	FACTORY PACKAGE
	(Feet)	(LBS)	(KGS)	(Lbs/ea.)	
2LRD27J	27	3,333	1,497	10.00	10 / ctn
2LRD30J	30	3,333	1,497	10.20	10 / ctn



Swive hook available:



### 4" Wide Handle Ratchet With "J" Hook

ITEM NO	LENGTH	WORKING LOAD LIMIT		WEIGHT	FACTORY PACKAGE
	(Feet)	(LBS)	(KGS)	(Lbs/ea.)	
4RTD27J	27	5,400	2,455	5.80	8 / ctn
4RTD30J	30	5,400	2,455	6.00	8 / ctn



### 3" Flat Hook Winch Strap Assembly

ITEM NO	LENGTH	WORKING LOAD LIMIT		WEIGHT	FACTORY PACKAGE
	(Feet)	(LBS)	(KGS)	(Lbs/ea.)	
3L27F	27	5,400	2,455	4.40	8 / ctn
3L30F	30	5,400	2,455	4.70	8 / ctn



### 3" Standard Ratchet With Flat Hooks

ITEM NO	LENGTH	WORKING LOAD LIMIT		WEIGHT	FACTORY PACKAGE
	(Feet)	(LBS)	(KGS)	(Lbs/ea.)	
3RT27F	27	5,400	2,455	12.50	4 / ctn
3RT30F	30	5,400	2,455	13.00	4 / ctn



### 4" Flat Hook Winch Strap Assembly

ITEM NO	LENGTH	WORKING LOAD LIMIT		WEIGHT	FACTORY PACKAGE
	(Feet)	(LBS)	(KGS)	(Lbs/ea.)	
4L27F	27	5,400	2,455	4.60	8 / ctn
4L30F	30	5,400	2,455	5.10	8 / ctn
4L60F	60	5,400	2,455	10.25	4 / ctn



### 4" Winch Strap Assembly With Chain Anchor

ITEM NO	LENGTH	WORKING LOAD LIMIT		WEIGHT	FACTORY PACKAGE
	(Feet)	(LBS)	(KGS)	(Lbs/ea.)	
4L27CH	27	5,400	2,455	6.80	8 / ctn
4L30CH	30	5,400	2,455	7.00	8 / ctn



### 4" Sewn Loop Winch Strap Assembly

ITEM NO	LENGTH	WORKING LOAD LIMIT		WEIGHT	FACTORY PACKAGE
	(Feet)	(LBS)	(KGS)	(Lbs/ea.)	
4L27L	27	6,000	2,727	3.30	8 / ctn
4L30L	30	6,000	2,727	4.10	8 / ctn





### 4" V-Iron Winch Strap Assembly

ITEM NO	LENGTH	WORKING LOAD LIMIT		WEIGHT	FACTORY PACKAGE
	(Feet)	(LBS)	(KGS)	(Lbs/ea.)	
4L27V	27	5,400	2,455	4.90	8 / ctn
4L30V	30	5,400	2,455	5.60	8 / ctn
4L60V	60	5,400	2,455	10.50	4 / ctn



### 4" HD Ratchet Strap Assembly With Flat Hooks

ITEM NO	LENGTH	WORKING LOAD LIMIT		WEIGHT	FACTORY PACKAGE
	(Feet)	(LBS)	(KGS)	(Lbs/ea.)	
4RTD630F	30	6,000	2,727	13.75	4 / ctn



### 4" HD Fixed End With Flat Hooks

ITEM NO	LENGTH	WORKING LOAD LIMIT		WEIGHT	FACTORY PACKAGE
	(Inch)	(LBS)	(KGS)	(Lbs/ea.)	
4RTD618F	18	6,000	2,727	1.48	4 / ctn



### Container Tie-Down Replacement Strap

ITEM NO	Description	WORKING LOAD LIMIT		WEIGHT	FACTORY PACKAGE
	(With x length)	(LBS)	(KGS)	(Lbs/ea.)	
4L5R	4" x 5'	5,400	2,455	1.00	8 / ctn



### AU-standard Ratchet Tie-Down Polyester Replacement Straps 9m, LC: 2500kg

ITEM NO	Description	LC Kg	HOOK TYPE	WIDTH mm	LENGTH Mtr	WEIGHT Kg	UOM
TD5000R-9A	50mm x 9m RTD Replacement Strap	2500	Hook & Keeper	50	9	2	Each
TD5000R-9B	50mm x 9m RTD Replacement Strap	2500	Hook & Keeper	50	12	2.5	Each
TD10000R-9A	50mm x 9m RTD Replacement Strap	5000	Hook & Keeper	75	9	3	Each
TD10000R-9B	50mm x 9m RTD Replacement Strap	5000	Hook & Keeper	75	12	3.5	Each



### 2" Inline Adjustable End Strap With Hardware

ITEM NO	LENGTH	WORKING LOAD LIMIT		WEIGHT	FACTORY PACKAGE
	(Feet)	(LBS)	(KGS)	(Lbs/ea.)	
L27D	27	3,333	1,497	2.80	8 / ctn
L27F	27	3,333	1,497	2.60	8 / ctn
TS20F	20	3,333	1,497	3.28	8 / ctn
L27J	27	3,333	1,497	2.75	8 / ctn
L2TFS	27	3,333	1,497	2.80	8 / ctn
L27CA	27	3,333	1,497	4.95	8 / ctn



### Interior Van Straps – CAM Buckle With Spring “E” Clip

ITEM NO	LENGTH	WORKING LOAD LIMIT		WEIGHT	FACTORY PACKAGE
	(Feet)	(LBS)	(KGS)	(Lbs/ea.)	
CBE12	12'	835	379	1.60	12 / ctn
CBE16	16'	835	379	1.80	12 / ctn
CBE20	20'	835	379	2.00	8 / ctn



### Interior Van Straps – Ratchet With Spring “E” Clip

ITEM NO	LENGTH	WORKING LOAD LIMIT		WEIGHT	FACTORY PACKAGE
	(Feet)	(LBS)	(KGS)	(Lbs/ea.)	
RTD12E	12'	1,000	454	2.38	8 / ctn
RTD16E	16'	1,000	454	2.63	8 / ctn
RTD20E	20'	1,000	454	2.75	8 / ctn



### Rope Tie – Offs

ITEM NO	LENGTH	WORKING LOAD LIMIT		WEIGHT	FACTORY PACKAGE
	(Inch)	(LBS)	(KGS)	(Lbs/ea.)	
RTF01	6"	1,000	455	0.5	40 / ctn
RTF02	6"	1,000	455	0.5	40 / ctn
RTF03	6"	500	230	0.5	40 / ctn
RTF04	6"	670	305	0.5	40 / ctn
RTF05	6"	670	305	0.5	40 / ctn



### Ratchet Tie-Down with "J" Hooks

Zinc plated hardware. Premium ratchet-style buckle for easy tightening.

ITEM NO	LENGTH	WORKING LOAD LIMIT		WEIGHT	FACTORY PACKAGE
	(Feet)	(LBS)	(KGS)	(Lbs/ea.)	
1RTD105J	6'	500	227	1.10	10 pr./ ctn
1RTD15J	15'	500	227	1.30	10 / ctn
1RTD20J	20'	500	227	1.40	10 / ctn



### Easy Release Tie-Down with "S" Hooks

Easy release, zinc plated cam buckle and chrome plated S-hooks. Packed in pairs.

ITEM NO	LENGTH	WORKING LOAD LIMIT		WEIGHT	FACTORY PACKAGE
	(Feet)	(LBS)	(KGS)	(Lbs/ea.)	
1CTD04S	4'	500	227	1.40	10 / ctn
1CTD06S	6'	500	227	1.70	10 / ctn



### Easy Release Tie-Down with "J" Hooks

Easy release, zinc plated cam buckle and zinc plated J-hooks. Packed in pairs.

ITEM NO	LENGTH	WORKING LOAD LIMIT		WEIGHT	FACTORY PACKAGE
	(Feet)	(LBS)	(KGS)	(Lbs/ea.)	
1CTD6J	6'	500	227	1.60	10 / ctn



### Ratchet Tie-Down with "S" Hooks

Chrome plated hooks and a premium chrome plated ratchet-style buckle for easy tightening.

ITEM NO	LENGTH	WORKING LOAD LIMIT		WEIGHT	FACTORY PACKAGE
	(Feet)	(LBS)	(KGS)	(Lbs/ea.)	
1RTD6S	6'	500	227	1.50	10 pr./ ctn
1RTD15S	15'	500	227	1.70	10 / ctn
1RTD20S	20'	500	227	1.80	10 / ctn



### TIRE NETS

Tire Nets for 13" to 20" Tires



TN-076 – Wire Hooks  
TN-076F – Flat Hooks  
TN-076S – Snap Hooks

The automotive tire net with basket configuration gives you the flexibility on adjustment and tire size to secure your vehicle in transport.

Working Load Limit: 1,670 lbs./757 kgs.

Tire Nets for 13" to 16" Tires



TN-022 – Wire Hooks

A quick and convenient way to secure your vehicle to a trailer if there are no convenient tie-down points on your car available.

Working Load Limit: 1,670 lbs./757 kgs.

Tire Nets for 13" to 22" Tires



TN-061HD2C – Wire Hooks

Designed to securely restrain your vehicle from moving and our 2 moulded plastic cleats prevent it from slipping on the tire.

Working Load Limit: 1,670 lbs./757 kgs.

15668 – 9080-1 E/A Fitting

High performance vehicles like race cars, exotic and specialty cars require pampering only Steadymate can provide. This tire strap has been designed with no cleats, specifically engineered for low wheel wells. Set includes Left and Right Hand Straps

NOTE: You must order two sets to secure all four wheels.

Working Load Limit: 1,500 lbs./680 kgs.



### AXLESTRAPS

Our heavy duty Axle Straps are designed to wrap perfectly around your car's rear axle, chassis or other attachment point and provide you a quick and easy anchoring point for down your car. They come in a variety of lengths as well as with the optional feature of a protective sleeve.

Working Load Limit: 3,335 lbs./1513 kgs.



AS024  
A x 24"

AS036  
A x 36"

2AS024 - 2A x P24"  
2 Per Package.



AS024-SL  
With Protective Sleeve  
A x P24"

AS036-SL  
With Protective Sleeve  
A x P36"

2AS036-SL 2A x P36"  
2 Per Package.

AS044-SL  
With Protective Sleeve  
A x P44"

**AU-Standard 50mm 5T ratchet lashing strap SWAN HOOK**

ITEM NO	LENGTH	WORKING LOAD LIMIT		WEIGHT	FACTORY PACKAGE
	(M)	(LC)	(KG)	(Lbs/ea.)	
TD5000SW-9	9	2500	5000	2.5	10 pr./ ctn
TD5000SW-11	11	2500	5000	2.76	10 / ctn
TD5000SW-12	12	2500	5000	3.02	10 / ctn



**Ratchet Style Web Dog Suits 8mm Grade 70 Chain C/W Grab Hooks Each End Lashing 3800kg**

**TD5000WD**



**EN-Standard 50mm 5T ergo ratchet lashing strap**

ITEM NO	LENGTH	WORKING LOAD LIMIT		WEIGHT	FACTORY PACKAGE
	(M)	(LC)	(KG)	(KG/ea.)	
TD5000ER-8	8	2500	5000	3	8 / ctn
TD5000ER-10	10	2500	5000	3.26	8 / ctn
TD5000ER-12	12	2500	5000	3.52	8 / ctn



**EN-Standard 50mm 5T ratchet lashing strap "J" HOOK**

ITEM NO	LENGTH	WORKING LOAD LIMIT		WEIGHT	FACTORY PACKAGE
	(M)	(LC)	(KG)	(Lbs/ea.)	
TD5000J-8	8	2500	5000	2.6	10 pr./ ctn
TD5000J-10	10	2500	5000	2.86	10 / ctn
TD5000J-12	12	2500	5000	3.12	10 / ctn



**EN-Standard 50mm 4T ratchet lashing strap "U" HOOK**

ITEM NO	LENGTH	WORKING LOAD LIMIT		WEIGHT	FACTORY PACKAGE
	(M)	(LC)	(KG)	(Lbs/ea.)	
TD4000U-8	8	2500	5000	2.3	10 pr./ ctn
TD4000U-10	10	2500	5000	2.5	10 / ctn
TD4000U-12	12	2500	5000	2.7	10 / ctn



**EN-Standard 50mm 4T ratchet lashing strap "J" HOOK**

ITEM NO	LENGTH	WORKING LOAD LIMIT		WEIGHT	FACTORY PACKAGE
	(M)	(LC)	(KG)	(Lbs/ea.)	
TD4000J-8	8	2000	4000	2.35	10 pr./ ctn
TD4000J-10	10	2000	4000	2.55	10 / ctn
TD4000J-12	12	2000	4000	2.75	10 / ctn



**EN-Standard 35mm 3T ratchet lashing strap "J" HOOK**

ITEM NO	LENGTH	WORKING LOAD LIMIT		WEIGHT	FACTORY PACKAGE
	(M)	(LC)	(KG)	(Lbs/ea.)	
TD3000J-8	8	1500	3000	1.4	20 pr./ ctn
TD3000J-10	10	1500	3000	1.56	20 / ctn
TD3000J-12	12	1500	3000	1.72	20 / ctn



**EN-Standard 25mm 1.5T ratchet lashing strap "J" HOOK**

ITEM NO	LENGTH	WORKING LOAD LIMIT		WEIGHT	FACTORY PACKAGE
	(M)	(LC)	(KG)	(Lbs/ea.)	
TD1500J-4	4	750	1500	0.32	30 pr./ ctn
TD1500J-5	5	750	1500	0.45	30 / ctn
TD1500J-6	6	750	1500	0.77	30 / ctn





Part No. TD001P



Part No. TD002P



Part No. TD003P



Part No. TD016P



Part No. TD017P



Part No. TD018P



Part No. TD004P



Part No. TD005P



Part No. TD006P



Part No. TD019P



Part No. TD020P



Part No. TD021P



Part No. TD007P



Part No. TD008P



Part No. TD009P



Part No. TD022P



Part No. TD023P



Part No. TD024P



Part No. TD010P



Part No. TD011P



Part No. TD012P



Part No. TD025P



Part No. TD026P



Part No. TD027P



Part No. TD013P



Part No. TD014P



Part No. TD015P



Part No. TD028P



Part No. TD029P



Part No. TD030P

### EN-Standard 75mm 10T EN ratchet lashing strap "J" HOOK

ITEM NO	LENGTH	WORKING LOAD LIMIT		WEIGHT	FACTORY PACKAGE
	(M)	(LC)	(KG)	(KG/ea.)	
TD10000J-6	6	5000	10000	6.5	4 / ctn
TD10000J-8	8	5000	10000	7.2	4 / ctn
TD10000J-10	10	5000	10000	7.54	4 / ctn



### EN-Standard 25mm 0.8T SS ratchet lashing strap "SS" HOOK

ITEM NO	LENGTH	WORKING LOAD LIMIT		WEIGHT	FACTORY PACKAGE
	(M)	(LC)	(KG)	(Lbs/ea.)	
TD800SS-4	4	400	800	1.3	50 / ctn
TD800SS-6	6	400	800	1.4	50 / ctn
TD800SS-8	8	400	800	1.5	50 / ctn



### EN-Standard 50mm 2T ratchet lashing strap E-fitting

ITEM NO	LENGTH	WORKING LOAD LIMIT		WEIGHT	FACTORY PACKAGE
	(M)	(LC)	(KG)	(KG/ea.)	
TD2000E-6	6	1000	2000	2.6	20 / ctn
TD2000E-8	8	1000	2000	2.75	20 / ctn
TD2000E-10	10	1000	2000	2.9	20 / ctn



### EN-Standard 35mm 0.8T cambuckle lashing strap

ITEM NO	LENGTH	WORKING LOAD LIMIT		WEIGHT	FACTORY PACKAGE
	(M)	(LC)	(KG)	(Lbs/ea.)	
TD800C-4	4	400	800	0.4	40 / ctn
TD800C-5	5	400	800	0.45	40 / ctn
TD800C-6	6	400	800	0.5	40 / ctn



### EN-Standard 25mm 0.8T ratchet lashing strap "S" HOOK

ITEM NO	LENGTH	WORKING LOAD LIMIT		WEIGHT	FACTORY PACKAGE
	(M)	(LC)	(KG)	(Lbs/ea.)	
TD800S-4	4	400	800	1.10	50 / ctn
TD800S-5	5	400	800	1.30	50 / ctn
TD800S-6	6	400	800	1.40	50 / ctn



### EN-Standard 35mm 0.7T cambuckle lashing strap

ITEM NO	LENGTH	WORKING LOAD LIMIT		WEIGHT	FACTORY PACKAGE
	(M)	(LC)	(MBS)	(Lbs/ea.)	
TD700-4	4	350	700	0.4	50 / ctn
TD700-5	5	350	700	0.45	50 / ctn
TD700-6	6	350	700	0.5	50 / ctn



### EN-Standard 35mm 0.25T cambuckle lashing strap

ITEM NO	LENGTH	WORKING LOAD LIMIT		WEIGHT	FACTORY PACKAGE
	(M)	(LC)	(MBS)	(KG/ea.)	
TD250-5	4	125	250	0.14	100 / ctn
TD250-5	5	125	250	0.165	100 / ctn
TD250-6	6	125	250	0.19	100 / ctn



Accessories can be replaced:





Part No. TD031P



Part No. TD032P



Part No. TD033P



Part No. TD034P



Part No. TD035P



Part No. TD036P



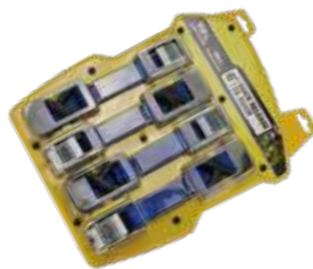
Part No. TD037P



Part No. TD038P



Part No. TD039P



Part No. TD040P



Part No. TD041P



Part No. TD042P



Part No. TD043P



Part No. TD044P



Part No. TD045P

### WEBBING



### LASHING WEBBING

Item No.	Width		Breaking strength		Standard color
	INCH	MM	LBS	KGS	
LW25-9	1	25	1980	900	Red,blue
LW25-10	1	25	2200	1000	Red,blue,yellow
LW25-11	1	25	2420	1100	Red,blue
LW25-13	1	25	2970	1350	Blue,yellow,black
LW25-15	1	25	3410	1550	Yellow
LW25-18	1	25	3960	1800	Black
LW25-20	1	25	4400	2000	Red,blue,black
LW35-30	1.5	35	6600	3000	Red,blue,orange
LW50-27	2	50	5940	2700	Blue,yellow,gray
LW50-48	2	50	10560	4800	Blue,yellow,orange
LW50-50	2	50	11000	5000	Blue,yellow,orange
LW50-54	2	50	11880	5400	Blue,yellow,orange
LW50-60	2	50	13200	6000	Blue,yellow,orange
LW50-62	2	50	13640	6200	Blue,yellow,orange
LW50-75	2	50	16500	7500	Blue,yellow,orange
LW50-143	3	75	31460	14300	Yellow

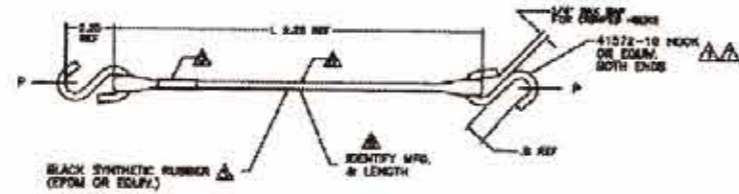
### SLING WEBBING

Item No.	Width		Breaking strength		Standard color
	INCH	MM	LBS	KGS	
SB25-35	1	25	7700	3500	Purple
SB30-45	1.25	30	9900	4500	Purple
SB50-75	2	50	16500	7500	Green
SB60-90	2.5	60	19800	9000	Green
SB75-112	3	75	24750	11250	Yellow
SB75-120	3	75	26400	12000	Yellow
SB90-135	3.5	90	29700	13500	Yellow
SB120-183	4.75	120	40370	18350	Gray
SB125-187	5	125	41250	18750	Red
SB150-225	6	150	49500	22500	Brown
SB180-280	7.25	180	61600	28000	Brown
SB200-300	8	200	66000	30000	Blue
SB200-362	8	200	79640	36200	Blue
SB250-375	10	250	82500	37500	Orange
SB250-400	10	250	88000	40000	Rde
SB250-451	10	250	99220	45100	Orange
SB300-450	12	300	99000	45000	Orange

Tarp Straps



Breaking Capacity 14lbs  
Load at 100% Elongation 35lbs



PART NUMBER	LENGTH MARKING	MAXIMUM STRETCH MARKING
QLTS001	9"HENAVY DUTY	18"HENAVY DUTY
QLTS002	15"HENAVY DUTY	30"HENAVY DUTY
QLTS003	21"HENAVY DUTY	42"HENAVY DUTY
QLTS004	31"HENAVY DUTY	62"HENAVY DUTY
QLTS005	41"HENAVY DUTY	82"HENAVY DUTY



QLTS006;JLTS007;JLTS008  
3/8Solid Core Rubber Rope  
7/16 Solid Core Rubber Rope  
RubberHook Also Sopply



Single Cleat Double Cleat  
WP001;WP001-1-2



Plastic Cleat  
WP002



WP003



WP004



4"Plastic Corner protectors  
JLCP001  
Weight:0.22lbs/0.1kg.



4"Plastic Corner protectors  
JLCP002  
Weight:0.132lbs/0.06kg.



12"Plastic Corner protectors  
JLCP003  
Weight:0.47lbs/0.21kg.



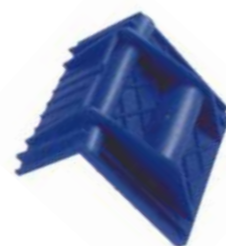
3"&4"rubber  
QLCP004



Tarp protector  
QLCP005



QLCP006



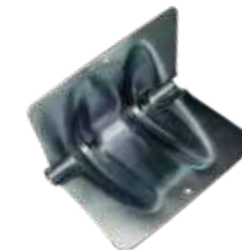
QLCP007



QLCP008



QLCP009



QLCP010



QLCP011



QLCP012



QLCP013



QLCP014



QLCP015



QLCP016



QLCP017



QLCP018



QLCP019



QLCP020



QLCP021



QLCP022



QLCP023;QLCP023-1-2



QLCP024



QLCP025



QLCP026



QLCP027

### DOUBLE EYE FLAT WEBBING SLING

100% high tenacity polyester  
 Low elongation  
 With reinforced lifting eyes  
 Length available:1m to 10m  
 Single ply and Double ply  
 According to EN1492-1:2000  
 Safety factor available:6:1 7:1 8:1

#### Eye types

- Flat eye
- Reversed eye
- Folded eye 1/2 width from 1 sides
- Folded eye 1/2 width from 1 sides
- Folded eye 1/3 width



Item No.	Webbing width(mm)	Colour coded according to EN1492-1	Working load limit with 1webbing sling					Working load limit with 2webbing sling			
			Straight lift	Chocked lift	β			Straight lift up to 45°	Chocked lift up to 45°	Straight lift 45°-60°	Chocked lift 45°-60°
					0°-7°	7°-45°	45°-60°				
			1.0	0.8	2.0	1.4	1.0	1.4	1.12	1.0	0.8
WS-1	30	1T	1.000	0.800	2.000	1.400	1.000	1.400	1.120	1.000	0.800
WS-2	60	2T	2.000	1.600	4.000	2.800	2.000	2.800	2.240	2.000	1.600
WS-3	90	3T	3.000	2.400	6.000	4.200	3.000	4.200	3.360	3.000	2.400
WS-4	120	4T	4.000	3.200	8.000	5.600	4.000	5.600	4.480	4.000	3.200
WS-5	150	5T	5.000	4.000	10.000	7.000	5.000	7.000	5.600	5.000	4.000
WS-6	180	6T	6.000	4.800	12.000	8.400	6.000	8.400	6.720	6.000	4.800
WS-8	240	8T	8.000	6.400	16.000	11.200	8.000	11.200	8.960	8.000	6.400
WS-10	300	10T	10.000	8.000	20.000	14.000	10.000	14.000	11.200	10.000	8.000

Each 30mm webbing width is equal to 1 T capacity  
 Each stripe is equal to 1 T capacity

### DIN EN 1492-1, colour code, endless type, single construction, safety factor 7:1

Item No.	WLL in kg	Farben	Breite in mm	EWL 1,0 m	EWL 2,0 m	EWL 3,0 m	EWL 4,0 m	EWL 5,0 m	EWL 6,0 m	EWL 8,0 m
				Umfang 2,0 m	Umfang 4,0 m	Umfang 6,0 m	Umfang 8,0 m	Umfang 10,0 m	Umfang 12,0 m	Umfang 16,0 m
EWS-1	1.000	Purple	30	6,80	11,60	14,00	17,70	21,80	25,90	32,90
EWS-2	2.000	Green	60	12,30	18,10	23,70	29,90	34,60	40,60	51,90
EWS-3	3.000	Yellow	90	17,40	26,60	35,60	45,10	55,60	64,60	85,20
EWS-4	4.000	Grey	120	22,70	34,00	45,70	57,40	70,60	84,80	108,70
EWS-5	5.000	Red	150	31,40	45,20	59,40	76,10	90,30	104,60	133,10
EWS-6	6.000	Brown	180	42,00	58,90	79,90	103,10	124,30	145,20	187,40

### ROUND SLING

100% high tenacity polyester  
 Low elongation  
 With reinforced lifting eyes  
 Length available:1m to 10m  
 Single ply and Double ply  
 According to EN1492-1:2000  
 Safety factor available:6:1 7:1 8:1  
 Single/Double Sleeve available



Item No.	Colour	Colour coded according to EN1492-1	Working load limit with 1webbing sling					Working load limit with 2webbing sling					
			Straight lift	Chocked lift	β			Straight lift up to 45°	Chocked lift up to 45°	Straight lift 45°-60°	Chocked lift 45°-60°		
					0°-7°	7°-45°	45°-60°						
			1.0	0.8	2.0	1.4	1.0	0.7	0.5	1.4	1.12	1.0	0.8
RS-1	Purple	1T	1.000	0.800	2.000	1.400	1.000	0.700	0.500	1.400	1.120	1.000	0.800
RS-2	Green	2T	2.000	1.600	4.000	2.800	2.000	1.400	1.000	2.800	2.240	2.000	1.600
RS-3	Yellow	3T	3.000	2.400	6.000	4.200	3.000	2.100	1.500	4.200	3.360	3.000	2.400
RS-4	Grey	4T	4.000	3.200	8.000	5.600	4.000	2.800	2.000	5.600	4.480	4.000	3.200
RS-5	Red	5T	5.000	4.000	10.000	7.000	5.000	3.500	2.500	7.000	5.600	5.000	4.000
RS-6	Brown	6T	6.000	4.800	12.000	8.400	6.000	4.200	3.000	8.400	6.720	6.000	4.800
RS-8	Blue	8T	8.000	6.400	16.000	11.200	8.000	5.600	4.000	11.200	8.960	8.000	6.400
RS-10	Orange	10T	10.000	8.000	20.000	14.000	10.000	7.000	5.000	14.000	11.200	10.000	8.000
RS-12	Orange	12T	12.000	9.600	24.000	16.800	12.000	8.400	6.000	16.800	13.440	12.000	9.600

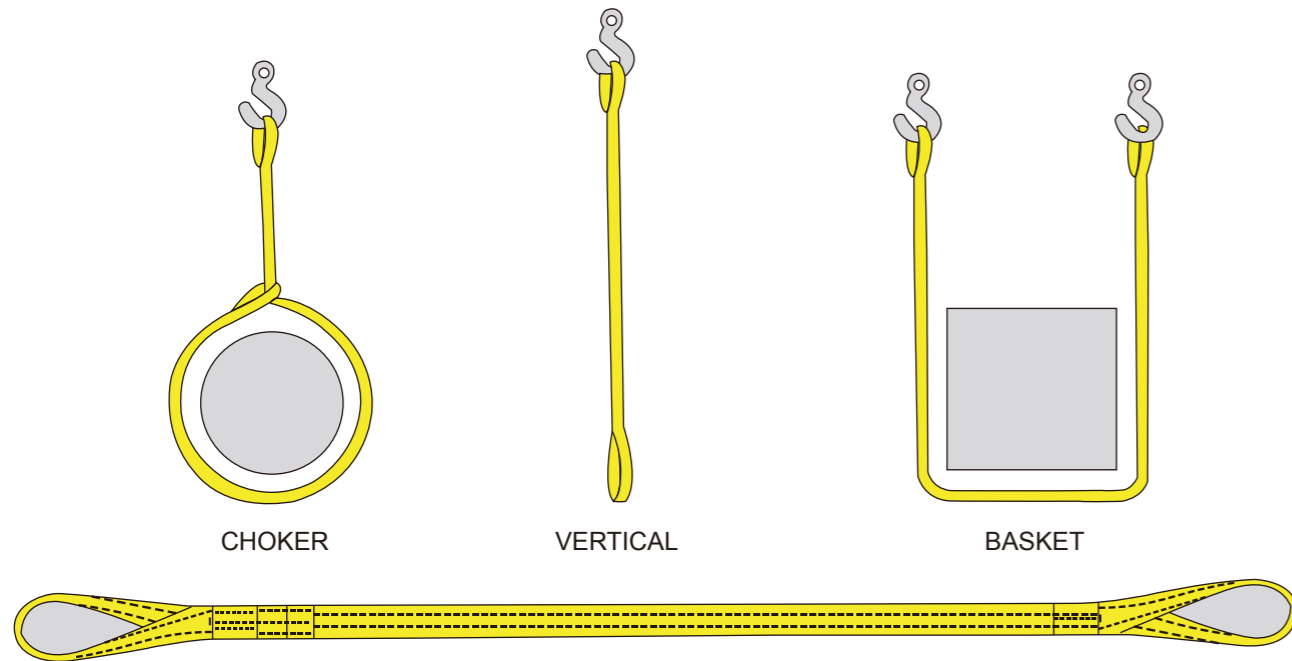
### OPERATION INSTRUCTION

- 1.Never use slings with damages or defects.
- 2.Only use slings with clear identifications.
- 3.Before use,check working load limit,length and working position
- 4.Never use slings with knots.
- 5.Never use slings on sharp edges without the correct protection.
- 6.Use the correct mode factor and check lifting angle before use.
- 7.Trapping the sling when lowering the load should be avoided.
- 8.Never use sling under 40°C or more than 100°C.
- 9.Stitching should never be placed over hooks or other lifting devices.
- 10.Sling should be stored in dry and clear conditions.Away from heat sources or direct sunlight and UV rays.
- 11.In case of chemical attack,please check with the manufacturer.





### POLYESTER TWISTED EYE TO SLING



- ▶ Light Weight & Economical
- ▶ 9,800 lbs. Polyester Webbing
- ▶ Single-Ply & Double-Ply Style
- ▶ Industry Compliant Sewn In Warning Tags
- ▶ Reinforced Eyes
- ▶ Tapered Eyes on 2", 3", & 4" Widths
- ▶ Complies with WSTDA -- WS-1-Type IV
- ▶ CL7 Web Slings

### SINGLE-PLY 9,800 LB. TWISTED EYE TO EYE SLING

	ITEM NO	SIZE	CHOKER	VERTICAL	BASKET
	1TES3	1" x 3'	1,250	1,600	3,200
	1TES4	1" x 4'	1,250	1,600	3,200
	1TES6	1" x 6'	1,250	1,600	3,200
	1TES10	1" x 10'	1,250	1,600	3,200
	2TES3	2" x 3'	2,450	3,100	6,200
	2TES4	2" x 4'	2,450	3,100	6,200
	2TES6	2" x 6'	2,450	3,100	6,200
	2TES10	2" x 10'	2,450	3,100	6,200
	2TES12	2" x 12'	2,450	3,100	6,200
	2TES14	2" x 14'	2,450	3,100	6,200

### DOUBLE-PLY 9,800 LB. TWISTED EYE TO EYE SLING

	ITEM NO	SIZE	CHOKER	VERTICAL	BASKET
	D1TES4	1" x 4'	2,450	3,100	6,200
	D1TES8	1" x 8'	2,450	3,100	6,200
	D2TES3	2" x 3'	4,950	6,200	12,400
	D2TES4	2" x 4'	4,950	6,200	12,400
	D2TES6	2" x 6'	4,950	6,200	12,400
	D2TES8	2" x 8'	4,950	6,200	12,400
	D2TES10	2" x 10'	4,950	6,200	12,400
	D2TES12	2" x 12'	4,950	6,200	12,400
	D2TES16	2" x 16'	4,950	6,200	12,400
	D2TES20	2" x 20'	4,950	6,200	12,400
	D2TES30	2" x 30'	4,950	6,200	12,400
	D3TES10	3" x 10'	7,040	8,800	17,600
	D3TES12	3" x 12'	7,040	8,800	17,600
	D3TES16	3" x 16'	7,040	8,800	17,600
	D3TES20	3" x 20'	7,040	8,800	17,600
	D4TES6	4" x 6'	8,800	11,000	22,000
	D4TES8	4" x 8'	8,800	11,000	22,000
	D4TES10	4" x 10'	8,800	11,000	22,000
	D4TES12	4" x 12'	8,800	11,000	22,000
	D4TES16	4" x 16'	8,800	11,000	22,000
D4TES20	4" x 20'	8,800	11,000	22,000	

## WARNING:

Please read and comply with all warning on labels and packaging. Failure to do so may result in loss of load, serious property damage, and/or personal injury!

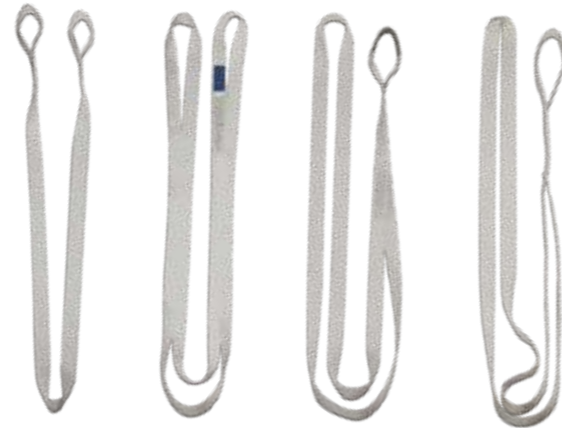
DO NOT exceed the rated capacity shown on the package and label attached to the sling. For Operating and Inspection Manuals for synthetic Web Slings, see the Web Slings and Tie Down Association Publication WSTDA-WS-2.

For Operating and Inspection Manuals for polyester Round Slings, see the Web Slings and Tie Down Association Publication WSTDA-RS-2.

### EN 1492-1

#### SINGLE USE SLINGS

conform to harmonized standard EN 1492-1  
 Factor of Safety 7:1 or 5:1  
 can be used as an integral part of the load  
 size and length according to customer's needs  
 material: 100% PES  
 product colour: white



### One-Way- Endless- Slings according DIN 60005, safety factor 5:1, 4:1, label colour orange

Item No.	WLL Working Load Limit in kg	Breite Breadth in mm	Gurtbandtyp Webbing type
EWS-0.35	350	25	PES Gurtband farbig
EWS-0.45	450	25	PES Gurtband farbig
EWS-0.7	700	25	PES Gurtband farbig
EWS-0.9	900	35	PES Gurtband farbig
EWS-1.4	1.400	35	PES Gurtband farbig
EWS-1.5	1.500	50	PES Gurtband farbig
EWS-1.9	1.900	50	PES Gurtband farbig
EWS-2.4	2.400	50	PES Gurtband farbig
EWS-0.8	800	48	ASG Bandschlinge aus Autosicherheitsgurtband

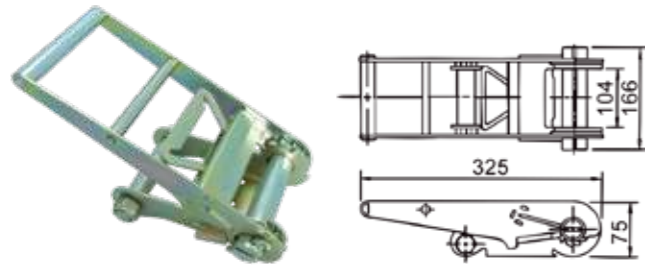


### FLAT WEBBING SLINGS WITH METAL FITTINGS

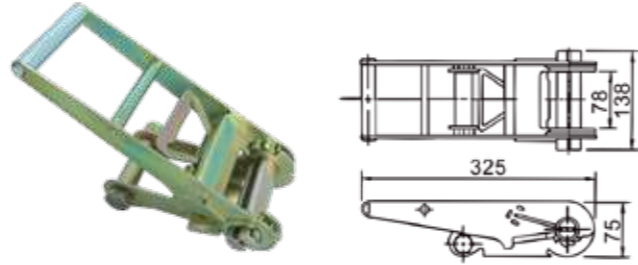
Item No.	Colour	Width mm	Ply	W.L.L. (kg)				
				Shackle	Hook	Shackle	45°	60°
2WMF-1	Green	60	1	1.000	800	2.000	1.400	1.000
2WMF-2	Green	60	2	2.000	1.600	4.000	2.800	2.000
3WMF-1.5	Yellow	90	1	1.500	1.200	3.000	2.100	1.500
3WMF-3	Yellow	90	2	3.000	2.400	6.000	4.200	3.000
4WMF-2	Grey	120	1	2.000	1.600	4.000	2.800	2.000
4WMF-4	Grey	120	2	4.000	3.200	8.000	5.600	4.000
5WMF-2.5	Red	150	1	2.500	2.000	5.000	3.500	2.500
5WMF-5	Red	150	2	5.000	4.000	10.000	7.000	5.000
6WMF-3	Brown	180	1	3.000	2.400	6.000	4.200	3.000
6WMF-6	Brown	180	2	6.000	4.800	12.000	8.400	6.000
7WMF-4	Blue	240	1	4.000	3.200	8.000	5.600	4.000
7WMF-8	Blue	240	2	8.000	6.400	16.000	11.200	8.000
8WMF-5	Orange	300	1	5.000	4.000	10.000	7.000	5.000
8WMF-10	Orange	300	2	10.000	8.000	20.000	14.000	10.000



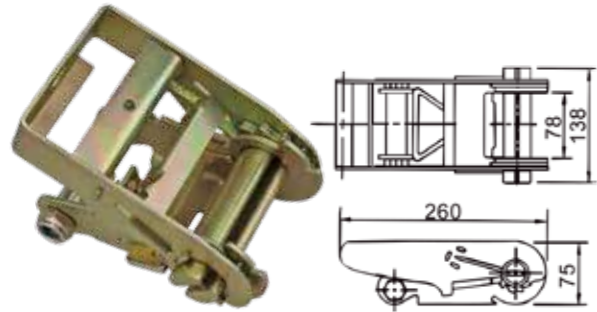
### Buckles



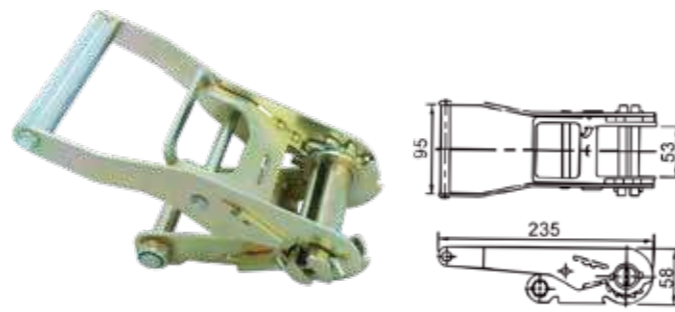
QL9904/JL9904SS  
4" B.S.10000Kg/7000Kg



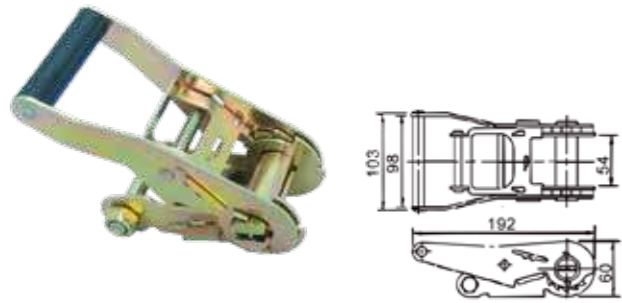
QL9903A/JL9903ASS  
3" B.S.10000Kg/7000Kg



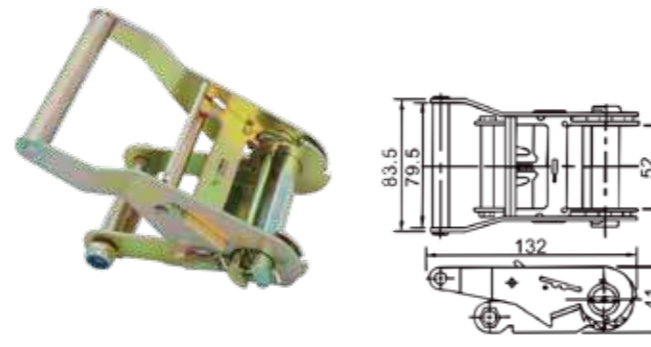
QL9903B  
3" B.S.10000Kg



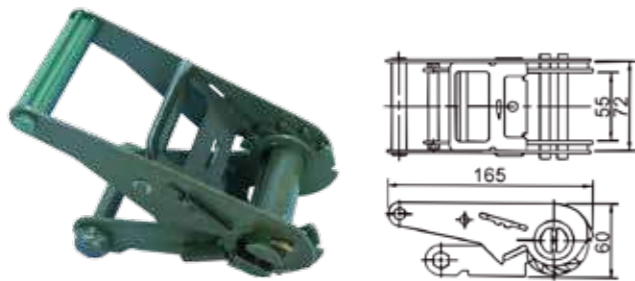
QL9902A  
2" B.S.5000Kg



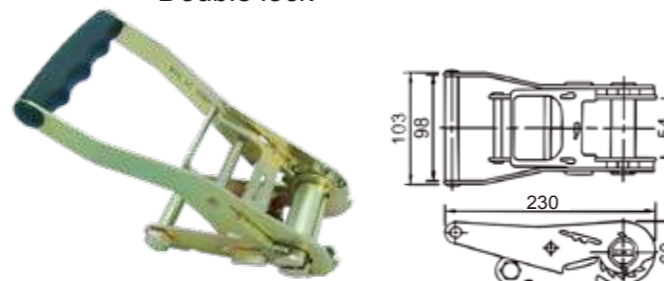
QL9902B  
2" B.S.5000Kg



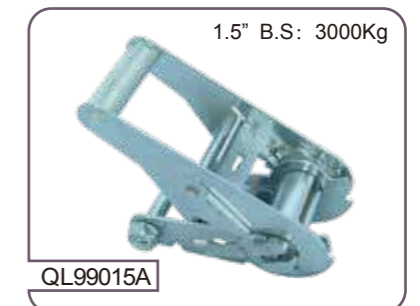
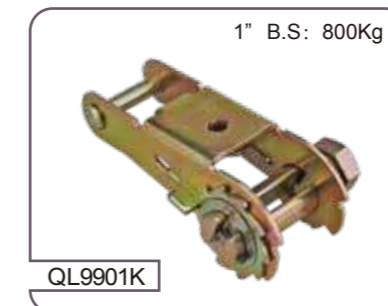
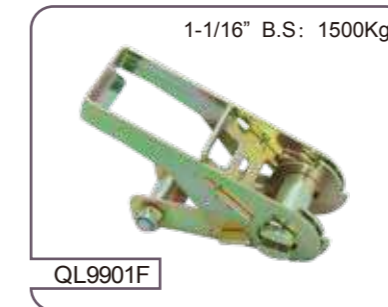
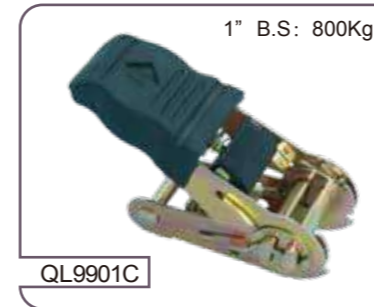
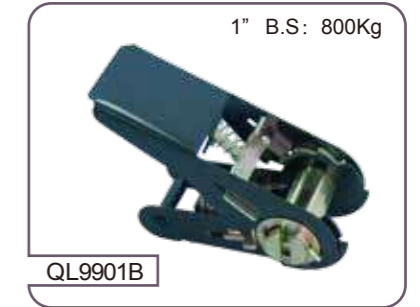
QL9902C  
2" B.S.2000Kg  
JL9902CK  
Double lock

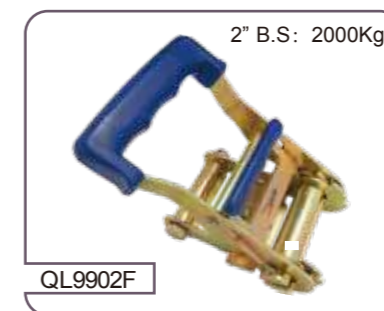
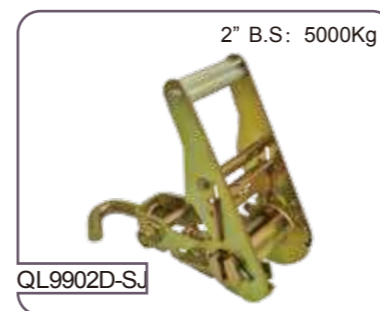
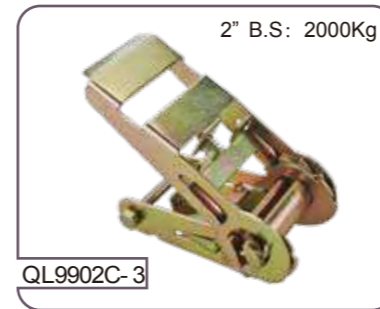
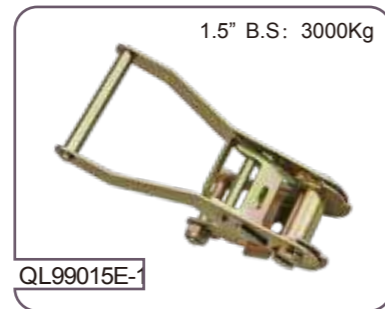
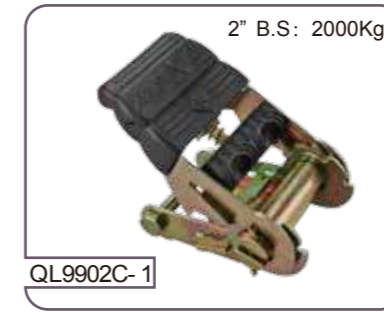
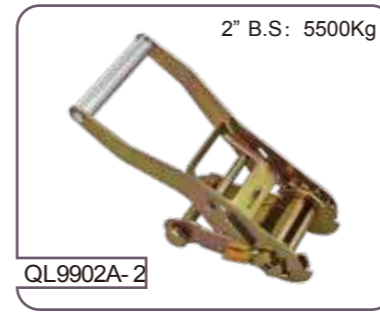


QL9902D  
2" B.S.5500Kg

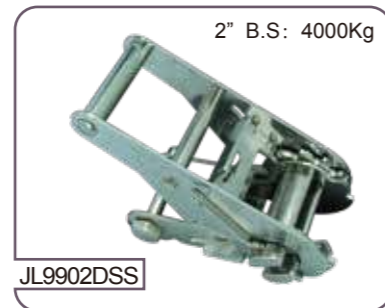
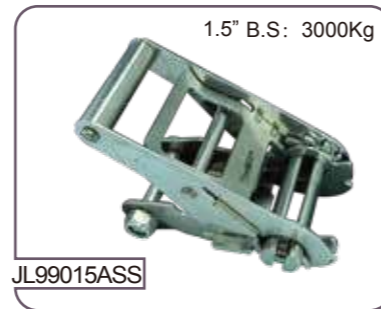
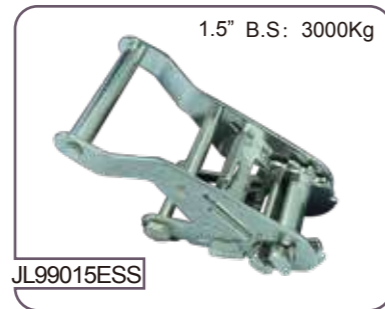


QL9902E  
2" B.S.5000Kg





OVERCENTER BUCKLES



More stainless steel version, Please ask sales.

2" B.S 2200lbs./1000kg



Part No. QL9316

2" B.S 2200lbs./1000kg



Part No. QL9317

2" B.S 2200lbs./1000kg



Part No. QL9318

2" B.S 5000lbs./2250kg



Part No. QL9331

44mm B.S 6000lbs./2700kg



Part No. QL9332

45mm B.S 2200lbs./1000kg



Part No. JL9333-1

Part No. QL9333

2" B.S 2640lbs./1200kg



Part No. QL9319

2" B.S 2640lbs./1200kg



Part No. QL9320

2" B.S 2750lbs./1250kg



Part No. QL9321

B.S 5000lbs./2273kg



Part No. QL9334

2" B.S 2200lbs./1000kg



Part No. QL9335

2" B.S 1320lbs./600kg



Part No. QL9336

2" B.S 3300lbs./1500kg



Part No. QL9322

1" B.S 880lbs./400kg



Part No. QL9323

1" B.S 2200lbs./1000kg



Part No. QL9324

1-3/4" B.S 1320lbs./600kg



Part No. QL9337

1-3/4" B.S 1320lbs./600kg



Part No. QL9338

2" B.S 1760lbs./800kg



Part No. QL9339

1" B.S 3300lbs./1500kg



Part No. JL9325-1

Part No. QL9325

2" B.S 2200lbs./1000kg



Part No. QL9326

2" B.S 2640lbs./1200kg



Part No. QL9327

2" B.S 2200lbs./1000kg



Part No. QL9340

1-3/4" B.S 2200lbs./1000kg



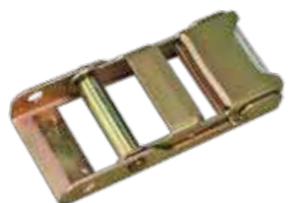
Part No. QL9341

2" B.S 2200lbs./1000kg



Part No. QL9342

2" B.S 4400lbs./2000kg



Part No. QL9328

2" B.S 5000lbs./2250kg



Part No. QL9329

2" B.S 5000lbs./2250kg



Part No. QL9330

B.S 1540lbs./700kg



Part No. QL9343

2" B.S 1760lbs./800kg



Part No. QL9344

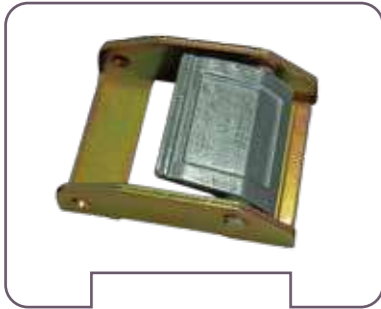
2" B.S 2200lbs./1000kg



Part No. JL9345-1

Part No. QL9345

CAM BUCKLE



50mm B.S 700Kg



25mm B.S 680Kg



25mm B.S 700Kg



25mm B.S 600Kg



25mm B.S 450Kg



25mm B.S 1150Kg



25mm B.S 350Kg



35mm B.S 800Kg



14mm B.S 100Kg



25mm B.S 450Kg



25mm B.S 600Kg



25mm B.S 800Kg



18mm B.S 180Kg



20mm B.S 200Kg



25mm B.S 450Kg



25mm B.S 500Kg



25mm B.S 500Kg



35mm B.S 600Kg



25mm B.S 250Kg



25mm B.S 100Kg

50mm B.S 100Kg



25mm B.S 450Kg



40mm B.S 600/900Kg



50mm B.S 1200Kg



50mm B.S 1150Kg



25mm B.S 800Kg



25mm B.S 350Kg



35mm B.S 800Kg



50mm B.S 600Kg



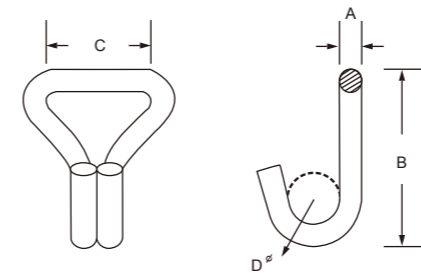
50mm B.S 900Kg



35mm B.S 900Kg



### Wire Hooks»



B.S. 3000Kg

B.S. 5000Kg

### Double J Hook

ITEM Number	CAP. (Kg)	A <sup>ø</sup>	B	C	D	
1"	QL9001	800	6	49	28	10
	QL9002	800	6	55	27	19
	QL9003	1500	7	60	27	20
	QL9004	2000	8	80	28	20
	QL9005	2500	9	85	25	20
1 1/2"	QL9006	1500	7	51	35	11
	QL9007	2500	9	62	36	18
	QL9008	2500	8	85	38	16
	QL9009	3000	10	70	38	19
	QL9010	3000	9.5	85	38	16
2"	QL9011	3000	9.5	93	40	18
	QL9012	700	6	69	54	25
	QL9013	1500	7	70	52	25
	QL9014	2000	8	75	52	18
	QL9015	2000	8	86	50	18
	QL9016	2000	8	97	50	18
	QL9017	2500	9	90	50	19
	QL9018	3000	9.5	85	50	25
	QL9019	5000	12	85	50	25
	QL9020	5000	12	96	50	25
	QL9021	5000	12	107	50	25
	QL9022	6800	13	101	50	25
3"	QL9023	10000	16	130	76	18
4"	QL9024	10000	16	135	102	25
Stainless steel	QL9004S	500	8	80	28	20
	SQL9005	1500	9	85	25	20
	QL9005SS	5000	12	96	50	25

### S Hook»



B.S. 1100Kg   B.S. 750Kg   B.S. 1500Kg   B.S. 500Kg   B.S. 1500Kg   B.S. 950Kg   B.S. 2000Kg



1"PVC S Hook B.S. 500Kg   1.5"Single J Hook B.S. 3000Kg   2"Single J Hook B.S. 5000Kg   1.5"Claw Hook B.S. 3000Kg   1.5"Claw Hook B.S. 5000Kg   3"Claw Hook B.S. 10000Kg   3" One Way Lashing Hook B.S. 10000Kg





1" Hook And Keeper  
B.S. 1500Kg



1.5" Hook And Keeper  
B.S. 3000Kg



2" Hook And Keeper  
B.S. 5000Kg



3" Hook And Keeper  
B.S. 10000Kg



1.5" Swivel J Hook, with Bolt  
B.S. 3000Kg



2" Swivel J Hook, with Bolt  
B.S. 5000Kg



2" Forged Hook  
B.S. 5000Kg



2" Triangle Ring  
B.S. 5000Kg



2" Close Rave Hook  
B.S. 900Kg



2" Close Rave Hook  
B.S. 1600Kg



1.5" Swivel J Hook  
B.S. 3000Kg



2" Swivel J Hook  
B.S. 5000Kg



2" Metal Delta Ring  
B.S. 5000Kg



3" Delta Ring  
B.S. 8000Kg



4" Delta Ring  
B.S. 9000Kg



2" Belt Hook  
B.S. 4000Kg



2" Welded Double J Hook  
B.S. 5000Kg



1" Circle Claw Hook  
B.S. 1600Kg



1" Small Wire Hook  
B.S. 100Kg



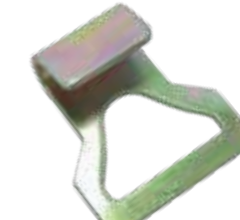
2" Rectangle Ring  
B.S. 5000Kg



1" Flat Hook  
B.S. 1500Kg



2" Forged Flat Hook  
B.S. 5000Kg



2" Metal Flat Hook  
B.S. 3000Kg



3" Metal Flat Hook  
B.S. 3000Kg



3" Belt Shackle Hook  
B.S. 20000;12000Kg



2" Belt Shackle Hook  
B.S. 12000Kg



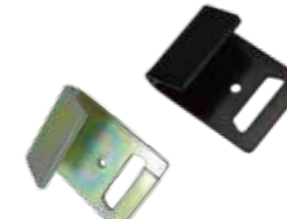
1" D Ring  
B.S. 1500Kg



1.5" D Ring  
B.S. 1500Kg



1.5" Flat Hook  
B.S. 5000Kg



2" Flat Hook, Steel/Alu Kepper  
B.S. 5000Kg



1.5" OVB Hook  
B.S. 1000Kg



1";2" Butterfly Hook  
B.S. 1000;2500Kg



2" D Ring  
B.S. 1500Kg



6mm O Ring  
B.S. 1500Kg



9mm D Ring  
B.S. 2000Kg



10mm O Ring  
B.S. 3000Kg



1" Flat Snap Hook  
B.S. 1500Kg



2" Flat Snap Hook  
B.S. 4000Kg



2" Flat Snap Hook  
B.S. 5000Kg



3" Flat Snap Hook  
B.S. 7500Kg



9074  
2" Twisted Snop Hook  
B.S. 5000Kg



9075-1-2-3  
1";1.5";2" One Way Buckle  
B.S. 3000;4000;5000Kg



9076  
2" Swivel Snop Hook  
B.S. 5000Kg



9077  
E-Fitting 3pcs  
B.S. 2000Kg

Anchor Points



9094  
Beam Socket  
B.S. 1000Kg



9095  
E Beam End W/Pin  
B.S. 2000Kg



9096  
Eye Plate  
Stainless Steel



9097  
Marine Barss Pump  
B.S. 500Kg



9078  
3" Flat Hook W/Alu Clip  
B.S. 6800Kg



9079  
4" Flat Hook W/Alu Clip  
B.S. 6800Kg



9080  
1.5" Swivel J Hook  
B.S. 3000Kg



9081  
2" Swivel J Hook  
B.S. 5000Kg



9098  
Marine Bolt Fitting (Black)  
B.S. 1000Kg



9099  
Marine Bolt Fitting (Silver)  
B.S. 1000Kg



9100  
Recessed Anchor  
B.S. 550Kg



9100-1  
Surface Mount Anchor  
B.S. 550Kg



9082  
Single Stud Fitting W/SS O Ring  
B.S. 1500Kg



9083  
Double Stud Fitting  
B.S. 2750Ka



9084  
Double Stud Fitting  
W/Pear Ring  
B.S. 2750Kg



9085  
Double Stud Fitting  
W/O Ring  
B.S. 2750Kg



9100-2  
Swivel Anchor  
B.S. 2500Kg



9100-3  
Heavy Duty Recessed Anchor  
B.S. 2270Kg



90100-4  
Light Duty Recessed Anchor  
B.S. 550Kg



9100-5  
Light Duty Recessed Anchor  
B.S. 350Kg



9086  
1" Car Lashing Hook  
B.S. 2000Kg



9087  
Series E/A Fitting W/O Ring  
B.S. 1900Kg



9088  
Single Stud Fitting  
W/SS D Ring  
B.S. 1500Kg



9089  
Quick Link (3.5mm-16mm)  
For All Size,Pls ask Sales



9100-6  
Heavy Duty Recessed Anchor  
B.S. 2200Kg



9100-7  
Swing Away Rope Hook  
B.S. 500Kg



JL9100-8  
J Tie Hook  
B.S. 2000Kg



9100-9  
Marine Fitting  
B.S. 500Kg



9090  
Towing Shackle  
B.S. 7000Kg



9091  
Safety Snap Hook  
B.S. 2500Kg



9092  
Nylon OVB Fitting  
B.S. 500Kg



9093  
S.Steel OVB Fitting  
B.S. 500Kg



9100-10  
Large Aluminum Clamp



9100-11  
Small Aluminum Clamp



9100-12  
Suction Cup



9100-1  
Tarp Clip



CLEVIS GRAB HOOK.self colored or zinc plated(G70,G43 Available)

ART.NO.	CHAIN SIZE inch	G43 W.LL(lbs) G70		I.L inch	N.W. lbs
		CARBON STEEL ALLOY STEEL			
JL9105-1	1/4	1950	2750	2.56	0.52
JL9105-2	5/16	2875	4300	2.87	0.77
JL9105-3	3/8	4000	5250	3.25	1.23
JL9105-4	7/16	5000	7000	3.70	2.10
JL9105-5	1/2	6500	9000	4.00	2.85

MIN. BREAKING STRENGTH=4 X W.L.L.



CLEVIS GRAB HOOK.self colored or zinc plated(G70,G43 Available)

ART.NO.	CHAIN SIZE inch	G43 W.LL(lbs) G70		I.L inch	N.W. lbs
		CARBON STEEL ALLOY STEEL			
JL9101-1	1/4	2600	3600	1.97	0.40
JL9101-2	5/16	3900	5400	2.26	0.70
JL9101-3	3/8	5400	7500	2.63	1.00
JL9101-4	7/16	7200	10000	2.75	1.50
JL9101-5	1/2	9200	12750	3.19	2.10
JL9101-6	5/8	12750	19000	4.09	4.20
JL9101-7	3/4	18500	27000	4.63	6.50

MIN. BREAKING STRENGTH=4 X W.L.L.



AUSTRALIAN CLEVIS GRAB HOOK(G70,G43 Available)

ART.NO.	CHAIN SIZE inch	W.L.L lbs	M.B.S. lbs	N.W. lbs
JL9106-2	5/16	4400	18800	0.76
JL9106-3	3/8	6600	23150	1.20
JL9106-4	1/2	11000	40780	2.10

MIN. BREAKING STRENGTH=4 X W.L.L.



CLEVIS GRAB HOOK.self colored or zinc plated(G70,G43 Available)

ART.NO.	CHAIN SIZE inch	W.LL(lbs)		I.L inch	N.W. lbs
		CARBON STEEL ALLOY STEEL			
JL9102-1	1/4	1950	2750	2.56	0.50
JL9102-2	5/16	2875	4300	2.87	0.75
JL9102-3	3/8	4000	5250	3.25	1.20
JL9102-4	7/16	5000	7000	3.70	2.06
JL9102-5	1/2	6500	9000	4.00	2.80
JL9102-6	5/8	9250	13500	4.94	4.75
JL9102-7	3/4	12500	19250	6.09	10.30

MIN. BREAKING STRENGTH=4 X W.L.L.



EYE HOIST HOOK.self colored or zinc plated(G70,G43 Available)

ART.NO.	W.LL(lbs)		I.L inch	I.D.OF EYE inch	N.W. lbs
	CARBON STEEL ALLOY STEEL				
JL9107-1	1/2	3/4	2.80	0.63	0.35
JL9107-2	3/4	1	3.22	0.75	0.55
JL9107-3	1	1-1/2	3.66	0.91	0.75
JL9107-4	1-1/2	2	4.09	1.12	1.25
JL9107-5	2	3	4.69	1.25	1.70
JL9107-6	3	4-1/2	5.78	1.56	3.60
JL9107-7	5	7	7.38	2.00	7.08
JL9107-8	7-1/2	11	9.06	2.44	13.00

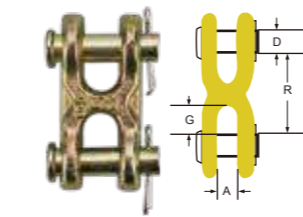
PROOF LOAD=2 X W.L.L.;MIN BREAKING STRENGTH=5 X W.L.L.



EYE GRAB HOOK.self colored or zinc plated(G70,G43 Available)

ART.NO.	CHAIN SIZE inch	W.LL(lbs)		I.L inch	N.W. lbs
		CARBON STEEL ALLOY STEEL			
JL9103-1	1/4	2600	3600	1.97	0.28
JL9103-2	5/16	3900	5400	2.25	0.45
JL9103-3	3/8	5400	7500	2.56	0.79
JL9103-4	7/16	7200	10000	2.94	1.19
JL9103-5	1/2	9200	12750	3.38	1.80
JL9103-6	5/8	12750	19000	4.11	3.30
JL9103-7	3/4	18500	27000	5.16	6.00

MIN. BREAKING STRENGTH=4 X W.L.L.



G70 Double Clevis

Drop forged, medium alloy steel, quenched and tempered. Use with G70 Tran sport chain.

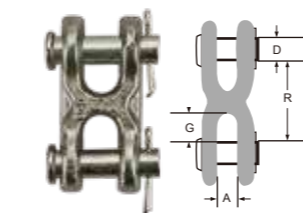
ART.NO.	Chain Size (Inches)	Dimensions (Inches)				Weight (Lbs/ea.)	Working load Limit(Lbs)
		A	R	D	G		
JL9289-1	1/4-5/16	0.47	1.18	0.38	0.43	0.30	4,700
JL9289-2	3/8	0.53	1.34	0.47	0.48	0.40	6,600
JL9289-3	7/16-1/2	0.65	1.75	0.56	0.63	0.98	11,300



EYE GRAB HOOK.self colored or zinc plated(G70,G43 Available)

ART.NO.	CHAIN SIZE inch	W.LL(lbs)		I.L inch	N.W. lbs
		CARBON STEEL ALLOY STEEL			
JL9104-1	1/4	1950	2750	2.56	0.40
JL9104-2	5/16	2875	4300	2.95	0.70
JL9104-3	3/8	4000	5250	3.36	1.00
JL9104-4	7/16	5000	7000	3.88	1.60
JL9104-5	1/2	6500	9000	4.28	2.40
JL9104-6	5/8	9250	13500	5.22	4.00
JL9104-7	3/4	12500	19250	6.50	6.50

MIN. BREAKING STRENGTH=4 X W.L.L.



G43 Double Clevis

Drop forged, medium carb on steel, quenched and tempered. Use with G30 and G43 chain.

ART.NO.	Chain Size (Inches)	Dimensions (Inches)				Weight (Lbs/ea.)	Working load Limit(Lbs)
		A	R	D	G		
JL9290-1	1/4-5/16	0.47	1.18	0.38	0.43	0.30	3,900
JL9290-2	3/8	0.53	1.34	0.47	0.48	0.40	5,400
JL9290-3	7/16-1/2	0.65	1.75	0.56	0.63	0.98	9,200



9108 1 2 3  
8;10;13mm LUG LINK  
B.S. 6200;7500;11000Kg



9109  
GR 8 Forest Hook  
B.S. 6000Kg



9110  
7/16 Snap Hook  
B.S. 1500Kg



9111  
Forged Tow Hook  
B.S. 5000Kg



9128  
Swivel Forged Hook  
B.S. 20000Kg



9129  
Wire Clamp  
B.S. 1000Kg



9130  
Chain Fitting



9131  
3/8 Pipe Clamp



9112  
Tde Hook  
B.S. 2500Kg



9113  
3/16 Tow Hook  
B.S. 2000Kg



9114  
1/4 Tow Hook  
B.S. 4000Kg



9115  
5/16 Puller Hook  
B.S. 4000Kg



9132  
Wire Clamp



9133  
Grade S Dee  
Shackle(6-51mm)  
Pls Ask Sales



9134  
Grade S Bow  
Shackle(6-51mm)  
Pls Ask Sales



9135  
Truck Lock



9116  
Tde Hook W/Triangle  
B.S. 2500Kg



9117  
3 Triangle Hook W/Latch  
B.S. 10000Kg



9118  
1/4 Puller Hook  
B.S. 2000Kg



9119  
2 Triangle Hook W/Latch  
B.S. 5000Kg



9136  
2 Triangle Ring  
B.S. 5000Kg



9137  
9mm D Ring  
B.S. 20000Kg



9138  
S.S. Swivel Hook  
6;8;10;12mm



9139  
S.S. Eye Slip Hook  
6;8;10;12mm



9120 1 2 3  
Chain Hook 8;10;13mm  
B.S. 10000;15000;20000Kg



9121  
Towing Hook  
B.S. 10000Kg



9122  
Truck Fitting



9123  
Forge Hook  
B.S. 10000Kg



9140  
Small Tie Down



9141  
Economical Tie Down



9142  
Large Tie Down



9143  
Steel Plate



9124 1 2 3  
Eye Hook  
B.S. 1200;2000;3200Kg



9125 1 2 3  
High Strength Hook  
B.S. 2500;3800;5000Kg



9126 1 2 3  
Chain Hook 8;10;13mm  
B.S. 10000;15000;20000Kg



9127  
Chain Hook



9144  
Nylon Anchor



9145  
Wire Clamp



9146  
Pipe Lock



9147  
Double Stud  
W/Ring and Hook



9148  
Cargo Net Hook



9149  
Cargo Net Hook



9150  
Recessed TT Lashing Ring  
B.S. 5000Kg



9151  
Forged Hook  
B.S. 5000Kg



9168



9169



9170



9171



9152  
Safety Belt Hook



9153  
S.S. Wire Rope Clip



9154  
S.S. Wire Rope Clip(Malleable)



9155  
Eye Screw Din 580



9172



9173



9174



9175



9156  
Eye Nut Din 582



9157



9158



9159



9176



9177



9178



9179



9160



9161



9162



9163



9180



9181



9182



9183



9164



9165



9166



9167



9184



9185



9186



9187



9188



9189



9190



9191



9208



9209



9210



9211



9192



9193



9194



9195



9212



9213



9214



9215



9196



9197



9198



9199



9216



9217



9218



9219



9200



9201



9202



9203



9220



9221



9222



9223



9204



9205



9206



9207



9224



9225



9226



9227



9228



9229



9230



9231



9248



9249



9250



9251



9232



9233



9234



9235



9252



9253



9254



9255



9236



9237



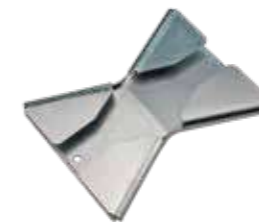
9238



9239



9256



9257



9258



9259



9240



9244



9242



9243



9260



9261



9262



9263



9244



9245



9246



9247



9264



9265



9266



9267



9268



9269



9270



9271



9272



9273



9274



9275



9276



9277



9278



9279

E-track



9520



9521



9522



9523



9524



9525



9526



9527



9528



9529



9530



9531



9532



9533



9534

Decking bean



9535 / 9535HD  
Light duty / Heavy duty



9536

Cargo Plank



9537

Steel Cargo Bar



9538



9539

Alu Cargo Bar



9540



9541

Jack Bar



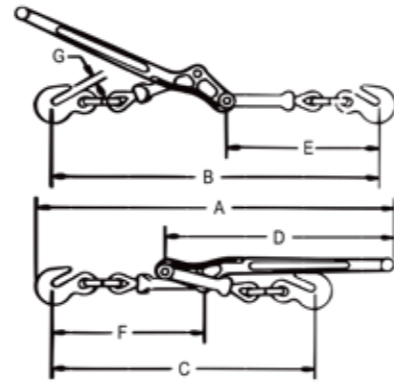
9542



9543



CHAIN LOAD BINDER



STANDARD LEVER TYPE LOAD BINDER

型号 Code NO.	规格 Min-Max Chain Size (in.)	工作负荷 Working Load Limit (lbs.)	测试拉力 Proof Load (lbs.)	破断负荷 Minimum Ultimate Strength (lbs.)	重量 Weight Each (lbs.)	手柄长度 Handle Length (in.)	各部位尺寸 Dimensions (in.)						
							A	B	C	D	E	F	G
LB1456	1/4-5/16	2200	4400	7800	3.52	11.57	18.11	17.32	14.17	11.18	8.46	6.30	.35
LB5638	5/16-3/8	5400	10800	19000	7.80	16.00	24.13	22.13	17.88	16.00	10.38	10.38	.47
LB3812	3/8-1/2	9200	18400	33000	12.15	18.50	27.81	25.75	21.25	18.69	12.00	12.00	.63
LB1258	1/2-5/8	13000	26000	46000	18.70	21.00	31.25	29.75	25.00	21.00	14.63	13.75	.72
LB*5638	*5/16-3/8	6600	13200	26000	8.00	16.00	24.13	22.13	17.88	16.00	10.38	10.38	.47

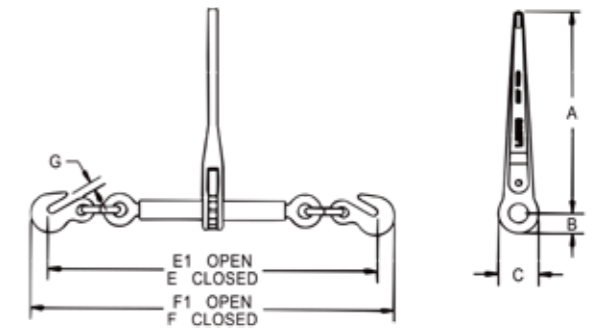
G80 EN STANDARD LOAD BINDER



RATCHET TYPE LOAD BINDER WITH WING&PIN HOOK  
SAFTY LOCK IN BARREL

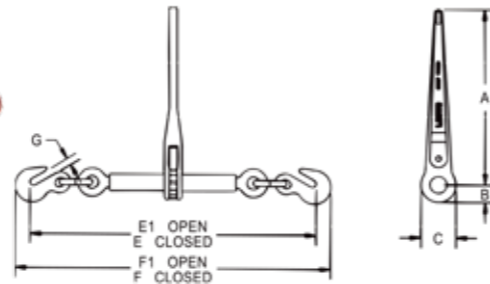


UNFOLD RATCHET LOAD BINDER  
(RUBBER PROTECTIVE AVAILABLE)



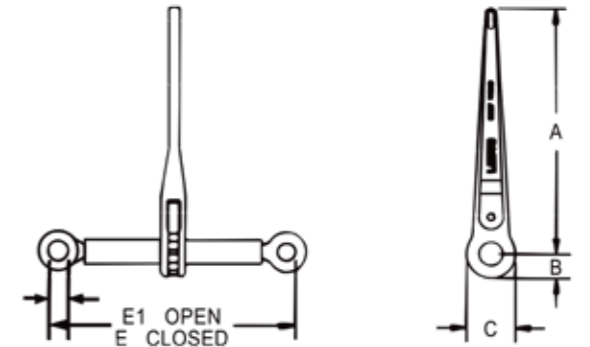
型号 Code NO.	规格 Min-Max Chain Size (mm)	工作负荷 Working Load Limit (LC)	测试拉力 Proof Load (KN)	破断负荷 Minimum Ultimate Strength (KN)	重量 Weight Each (KG)	手柄长度 Handle Length (in.)	螺套长度 Barrel Length (in.)	收缩距 Take Up (in.)	各部位尺寸 Dimensions (in.)							
									A	B	C	E	E1	F	F1	G
RB06W	6	22	33	45.2	1.78	7.16	6.30	4.65	7.16	.89	1.77	17.4	22.04	19.2	23.84	.35
RB08W	8	40	60	80.4	4.55	13.42	9.92	8.0	13.32	1.30	2.60	23.78	31.78	26.14	34.14	.47
RB10W	10	63	94.5	126	5.75	13.92	9.92	8.0	13.92	1.30	2.60	23.82	31.82	26.93	34.93	.63
RB13W	13	100	150	212	8.56	13.92	9.92	8.0	13.92	1.30	2.60	25.90	33.90	29.57	34.57	.72
RB16W	16	160	240	322	13.4	13.42	11.00	10.0	13.92	1.30	2.60	26.50	34.80	31.60	39.90	.92

Short handle available. Please ask sales.



RATCHET TYPE LOAD BINDER

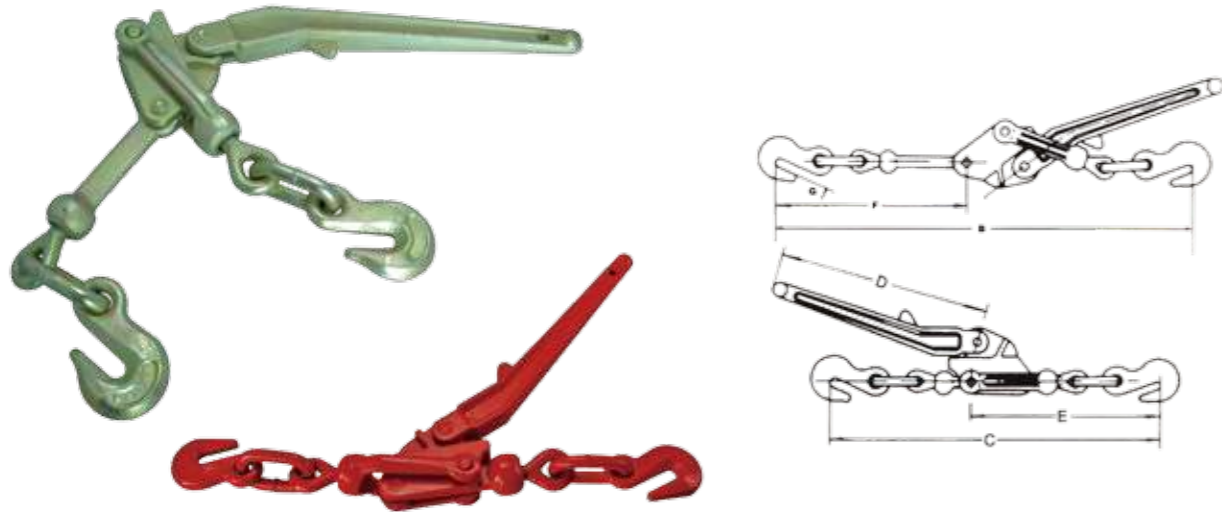
型号 Code NO.	规格 Min-Max Chain Size (in.)	工作负荷 Working Load Limit (lbs.)	测试拉力 Proof Load (lbs.)	破断负荷 Minimum Ultimate Strength (lbs.)	重量 Weight Each (lbs.)	手柄长度 Handle Length (in.)	螺套长度 Barrel Length (in.)	收缩距 Take Up (in.)	各部位尺寸 Dimensions (in.)							
									A	B	C	E	E1	F	F1	G
RB1456	1/4-5/16	2200	4400	7800	3.52	7.16	6.30	4.65	7.16	.89	1.77	17.4	22.04	19.2	23.84	.54
RB5638	5/16-3/8	5400	10800	19000	10.50	13.42	9.92	8.0	13.32	1.30	2.60	23.78	31.78	25.14	34.14	.47
RB3812	3/8-1/2	9200	18400	33000	12.20	13.92	9.92	8.0	13.92	1.30	2.60	23.82	31.82	28.93	34.93	.63
RB1258	1/2-5/8	13000	26000	46000	14.38	13.92	9.92	8.0	13.92	1.30	2.60	25.90	33.90	29.57	34.57	.72
RB*5638	*5/16-3/8	6600	13200	26000	11.00	13.42	9.92	8.0	13.92	1.30	2.60	23.78	31.78	26.14	34.14	.47
RB*3812	3/8-1/2	12000	24000	36000	13.8	13.42	9.92	8.2	13.92	1.30	2.60	23.78	31.78	26.14	34.14	.47



G80 RATCHET TYPE LOAD BINDER  
WITHOUT LINKS OR HOOKS

型号 Code NO.	规格 Min-Max Chain Size (mm)	工作负荷 Working Load Limit (LC)	测试拉力 Proof Load (KN)	破断负荷 Minimum Ultimate Strength (KN)	重量 Weight Each (KG)	手柄长度 Handle Length (in.)	螺套长度 Barrel Length (in.)	收缩距 Take Up (in.)	各部位尺寸 Dimensions (in.)							
									A	B	C	E	E1	F	F1	G
RB06	6	22	33	45.2	1.78	7.16	6.30	4.65	7.16	.89	1.77	17.4	22.04	19.2	23.84	.35
RB08	8	40	60	80.4	4.55	13.42	9.92	8.0	13.32	1.30	2.60	23.78	31.78	26.14	34.14	.47
RB10	10	63	94.5	126	5.75	13.92	9.92	8.0	13.92	1.30	2.60	23.82	31.82	26.93	34.93	.63
RB13	13	100	150	212	8.56	13.92	9.92	8.0	13.92	1.30	2.60	25.90	33.90	29.57	34.57	.72
RB16	16	160	240	322	13.4	13.42	11.00	10.0	13.92	1.30	2.60	26.50	34.80	31.60	39.90	.92

Short handle available. Please ask sales.



**RECOILLESS CHAIN LOAD BINDER**

型号 Code NO.	规格 Min-Max Chain Size (in.)	工作负荷 Working Load Limit (lbs.)	测试拉力 Proof Load (lbs.)	破断负荷 Minimum Ultmate Strength (lbs.)	重量 Weight Each (lbs.)	手柄长度 Handle Length (in.)	各部位尺寸 Dimensions (in.)					
							B	C	D	E	F	G
ILB5638	5/16-3/8	5400	10800	19000	9.25	13.00	23.62	22.32	13.10	11.26	11.26	0.47
ILB3812	3/8-1/2	9200	18400	33000	13.25	13.00	25.75	25.25	15.1	13.26	13.26	0.63



**LEVER TYPE LOAD BINDER(RRABBER)**

型号 Code NO.	规格 Min-Max Chain Size (in.)	工作负荷 Working Load Limit (lbs.)	测试拉力 Proof Load (lbs.)	破断负荷 Minimum Ultmate Strength (lbs.)	重量 Weight Each (lbs.)	手柄长度 Handle Length (in.)	各部位尺寸 Dimensions (in.)						
							A	B	C	D	E	F	G
ALB1456	1/4-5/16	2200	4400	7800	3.62	11.42	18.43	19.10	15.74	11.42	9.13	8.82	.31
ALB5638	5/16-3/8	5400	10800	19000	8.56	15.43	25.67	25.66	24.36	15.43	12.28	12.28	.47
ALB3812	3/8-1/2	9200	18400	33000	12.38	17.24	30.47	31.53	27.71	17.24	15.44	15.44	.63



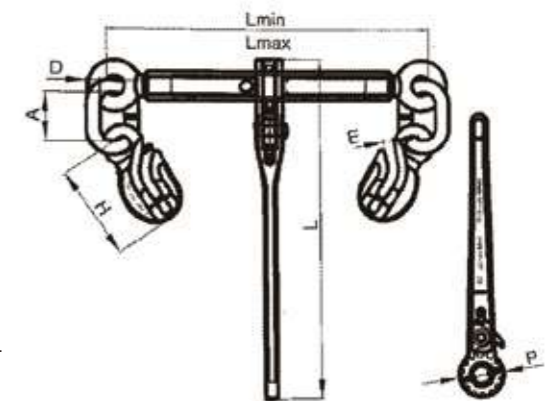
**LTLOAD BINDER**

型号 Code NO.	规格 Min-Max Chain Size (in.)	工作负荷 Working Load Limit (lbs.)	测试拉力 Proof Load (lbs.)	破断负荷 Minimum Ultmate Strength (lbs.)	重量 Weight Each (lbs.)	手柄长度 Handle Length (in.)	各部位尺寸 Dimensions (in.)				
							A	B	C	D	E
LB175	175	175	350	750	0.4	/	/	/	/	/	/
LB250	250	250	500	880	1.43	9.05	12.40	8.82	5.00	2.75	9.05
LB375	375	375	750	1300	1.40	9.05	12.20	9.50	5.16	3.23	9.05

### G100 RACHET BINDER WITH SAFETY HOOKS



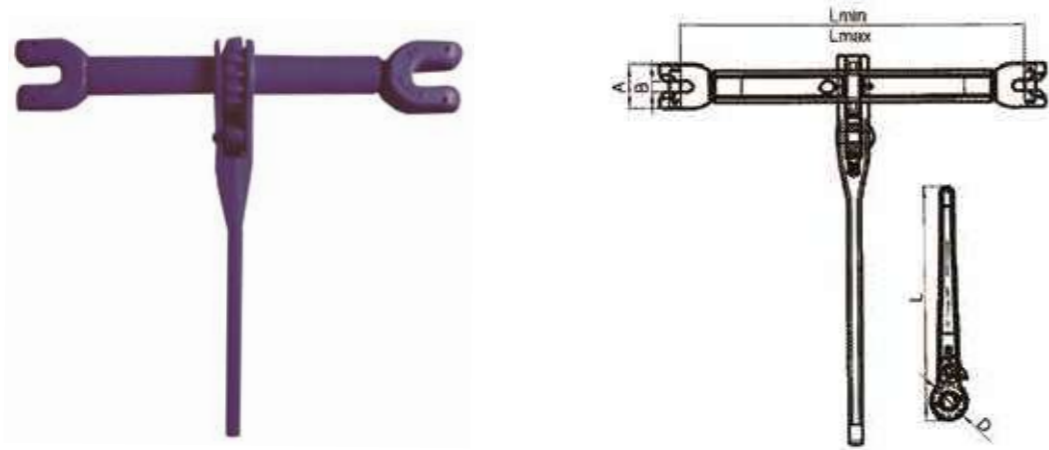
According EN12195-3 standard  
 Handle: forged  
 Suitable for G100 chain.  
 With G100 eye grab hook with safety pin.  
 Not for lifting, only for lashing.  
 Surface finish: Powder plastified Colour code: Blue(RAL5015)



Code NO.	Size (mm.)	LC/KN	BF/KN	A mm	D mm	H mm	E mm	L mm	P mm	Lmin mm	Lmax mm	N.W. KG
RB08WG10	8	50	100	50	12	98	10.5	383	56	340	500	3.71
RB10WG10	10	80	160	50	14	121.5	13	390	65	365	525	5.85
RB10WG10	13	134	268	72	20	159.5	15.5	392.5	69	365	525	9.34

BF=LCX2  
 Regular mark: Handle: 8MM G10 CE LC50KN Not for lifting  
 Hooks: Handle: 8MM G10 CE+BATCH NUMBER

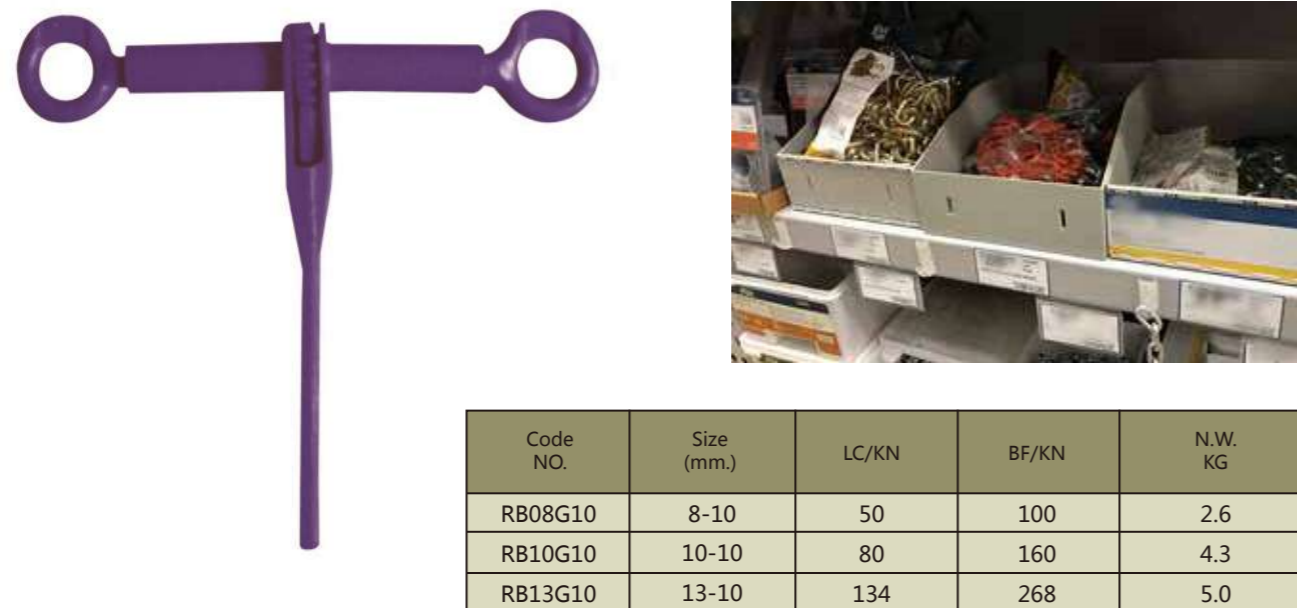
### G100 RACHET BINDER WITH SAFETY HOOKS



Code NO.	Size (mm.)	LC/KN	BF/KN	A mm	B mm	L mm	D mm	Lmin mm	Lmax mm	N.W. KG
RB08CG10	8-10	50	100	40	10	383	56	312	472	3.5
RB10CG10	10-10	80	160	49	13	390	65	337	497	5.5
RB10CG10	13-10	134	268	64	16	392.5	69	347	507	7.1

Regular mark:Handle:8MM G10 CE LC50KN Not for lifting  
Clevis:8MM G10+BATCH NUMBER

### G100 RACHET BINDER WITHOUT LINKS AND HOOKS



Code NO.	Size (mm.)	LC/KN	BF/KN	N.W. KG
RB08G10	8-10	50	100	2.6
RB10G10	10-10	80	160	4.3
RB13G10	13-10	134	268	5.0

BF=LCX2  
Regular mark:Handle:8MM G10 CE LC50KN Not for lifting  
Eye screw:8MM G10 +BATCH NUMBER

### G70 CHAIN NACM1996/2003 STANDARD LINK CHAIN



#### Code No. Chain assemblies with Clevis Hooks

- G7CB-16 5/16-in.x16-ft. Working Load Limit:4,700lbs. Weight:17.40lbs./7.89kg.
- G7CB-220 5/16-in.x20-ft. Working Load Limit:4,700lbs. Weight:21.70lbs./9.90kg.
- G7CB-225 5/16-in.x25-ft. Working Load Limit:4,700lbs. Weight:26.70lbs./8.07kg.
- G7CI-16 3/8-in.x16-ft. Working Load Limit:6,600lbs Weight:17.80lbs./10.10kg.
- G7CI-220 3/8-in.x20-ft. Working Load Limit:6,600lbs Weight:22.20lbs./7.89kg.
- G7CI-225 3/8-in.x25-ft. Working Load Limit:6,600lbs Weight:27.20lbs./12.40kg.
- G7CB-220 1/2-in.x20-ft. Working Load Limit:11,300lbs Weight:53.60lbs./24.30kg.
- G7CB-225 1/2-in.x25-ft. Working Load Limit:11,300lbs Weight:66.20lbs./30.01kg.

#### Code No. Chain also available in bulk

- G7CB-400 1/4-in.400-ft. length Weight:262lbs./119kg.
- G7CB-400 5/16-in.400-ft. length Weight:408lbs./185kg.
- G7CI-200 3/8-in.200-ft. length Weight:248lbs./112kg.
- G7CB-100 1/2-in.100-ft. length Weight:251lbs./114kg.

### G43 CHAIN



**\* CHINA IN A PAIL ZLSO AVAILABLE, PLS CONTACT SALES**

#### Code No. Chain assemblies with Clevis Hooks

- G4CB-220 1/4-in.x20-ft. Working Load Limit:2,600lbs. Weight:13.50lbs./6.13kg.
- G4CB-220 5/16-in.x20-ft. Working Load Limit:3,900lbs. Weight:22.00lbs./9.97kg.
- G4CI-220 3/8-in.x20-ft. Working Load Limit:5,400lbs. Weight:31.40lbs./14.24kg.

#### Code No. Chain also available in bulk

- G4CB-135 1/4-in.x135-ft. Working Load Limit:2,600lbs. Weight:89.30lbs./40.50kg.
- G4CB-90 5/16-in.x90-ft. Working Load Limit:3,900lbs. Weight:89.30lbs./40.50kg.
- G4CI-63 3/8-in.x63-ft. Working Load Limit:5,400lbs. Weight:90.40lbs./41.00kg.





**Warning Flags**

These red, high-visibility warning flags measure 18" x 18" and come individually shrink-wrapped



**10001**  
Heavy-duty vinyl mesh flag on a 30" x 5/8" wooden dowel.  
Flag dimension 18" x 18"



**10002**  
Cotton flag with steel wire rod.  
Flag dimension 18" x 18"



**10003**  
Heavy-duty vinyl mesh flag with 2 high-strength brass grommets.  
Flag dimension 18" x 18"

**Reversible Banners**

These versatile, double-sided banners read WIDE LOAD on one side and oVERSIZE loAd on the other. They are high-strength, UV-resistant and are printed with water-resistant ink. They feature high-strength brass grommets, have double-stitched, reinforced hems and come individually shrink-wrapped.



**10004**  
Wide Load/Oversize Load  
14" x 72" banner with high-strength grommets and 4 ropes 43" long.



**10005**  
Wide Load/Oversize Load  
18" x 84" banner with high strength grommets and 4 ropes 43" long.



**10006**  
Wide Load/Oversize Load  
18" x 84" banner with high-strength brass grommets and 2 ropes sewn in, one top and one bottom 156" long.

**Oversized Wide Load Banner**

**10007**  
Wide/Oversize Load "D" Banner  
12" x 96" with 10 grommets.



**Forged D-Ring Assemblies with Weld-On Clips**  
Zinc and powder coating available



**DR-38**  
B. S. 8800lbs

**DR-12A**  
B. S. 12000lbs

**DR-12B**  
B. S. 12000lbs

**DR-58**  
B. S. 18900lbs

**DR-34**  
B. S. 27000lbs

**DR-100S**  
B. S. 46800lbs

**DR-100L**  
B. S. 46800lbs

**DR-100B**  
B. S. 46800lbs

**Winch Bars & Accessories**

**WB-601**



**Chrome Combination Winch Bar**  
10pcs/ctn. G. W/N. W: 31kgs/30kgs. 0.7cuft

**WB-602**



**Chrome Standard Winch Bar**  
10pcs/ctn. G. W/N. W: 25kgs/24kgs. 0.5cuft

**WB-603**



**Chrome Combination Winch Bar**  
10pcs/ctn. G. W/N. W: 27.5kgs/26.5kgs. 0.6cuft

**WB-604**



**Painted Standard Winch Bar**  
10pcs/ctn. G. W/N. W: 25kgs/24kgs. 0.5cuft

**WB-605**



**Painted Combination Winch Bar**  
10pcs/ctn. G. W/N. W: 31kgs/30kgs. 0.7cuft